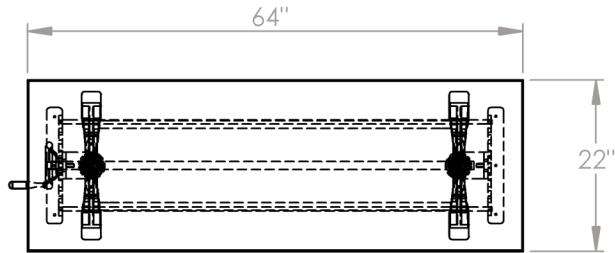
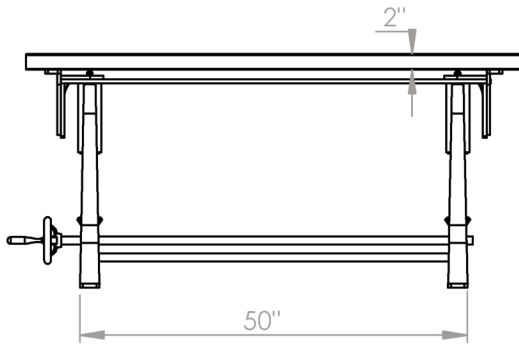


## PI-INDCON INDUSTRIAL CONSOLE

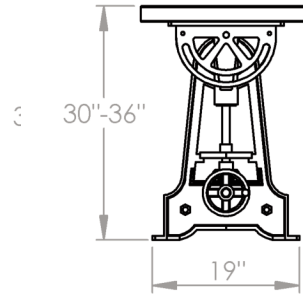
©2015 STONE FOREST, INC.



TOP VIEW

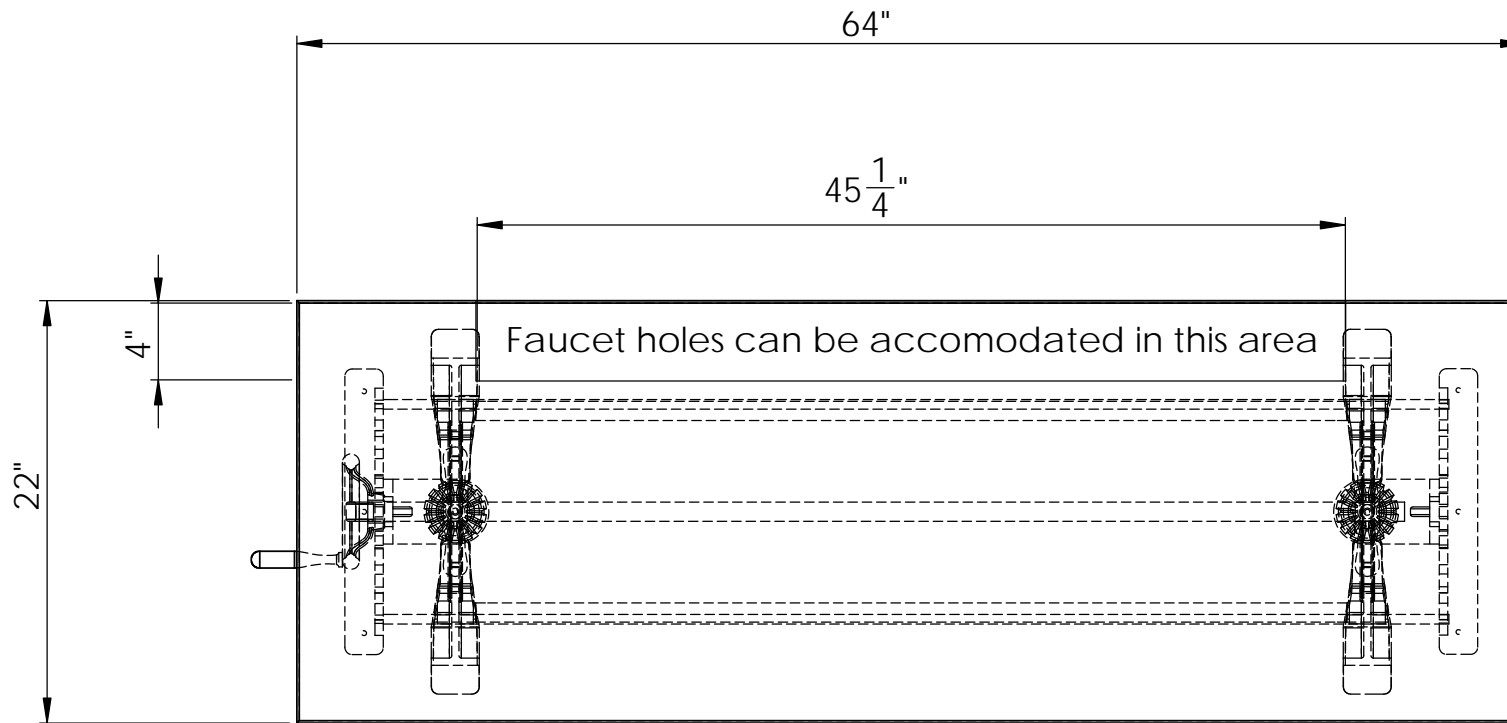


FRONT VIEW



SIDE VIEW

- Cast Iron/Luna Bianca Marble
- Countertop can be drilled for most configurations of sinks and faucets. Some areas cannot be drilled due to the upper support bars of the console.
- Can be used with any Stone Forest vessel sink.
- Console can be adjusted between 30"-36"H and then disabled once installed.
- Approx 325 lbs



## Industrial Console Faucet Locating

Due to the hand-carving of each piece, small variances in shape and size are to be expected.

SIZE **A** DWG. NO. Industrial Console Faucet locating

REV. **A**

WEIGHT: lbs SHEET 1 OF 1

©2010 Stone Forest, Inc.

MATERIAL

FINISH

DO NOT SCALE DRAWING

A



# Step 1.

B



C



D



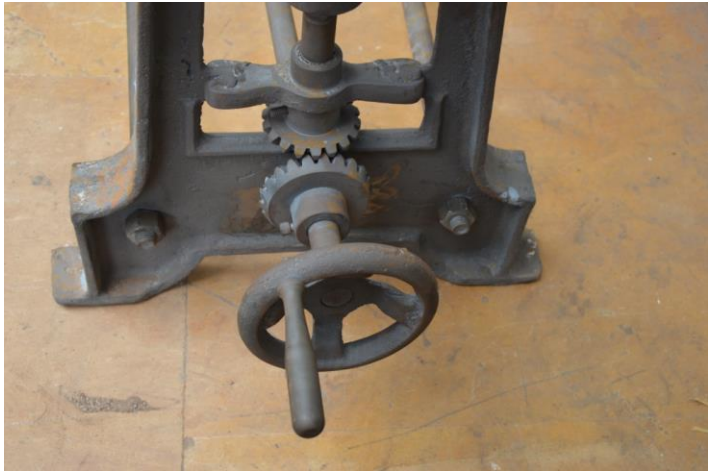
E



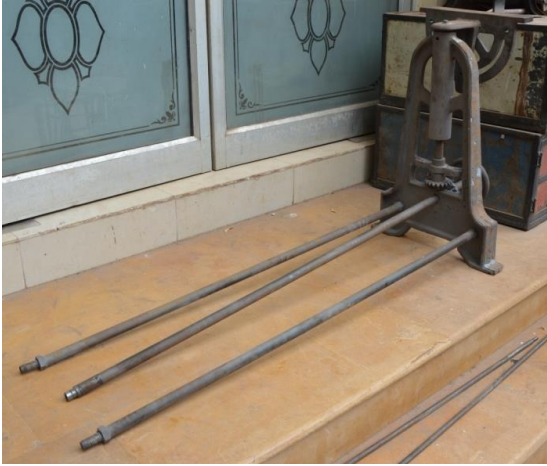
F



# Step 2.



# Step 3.



# Step 4.



# Step 5.



Final

