

Fluted Lumbre  
with Lumbre Facet Vanity with Crossbar

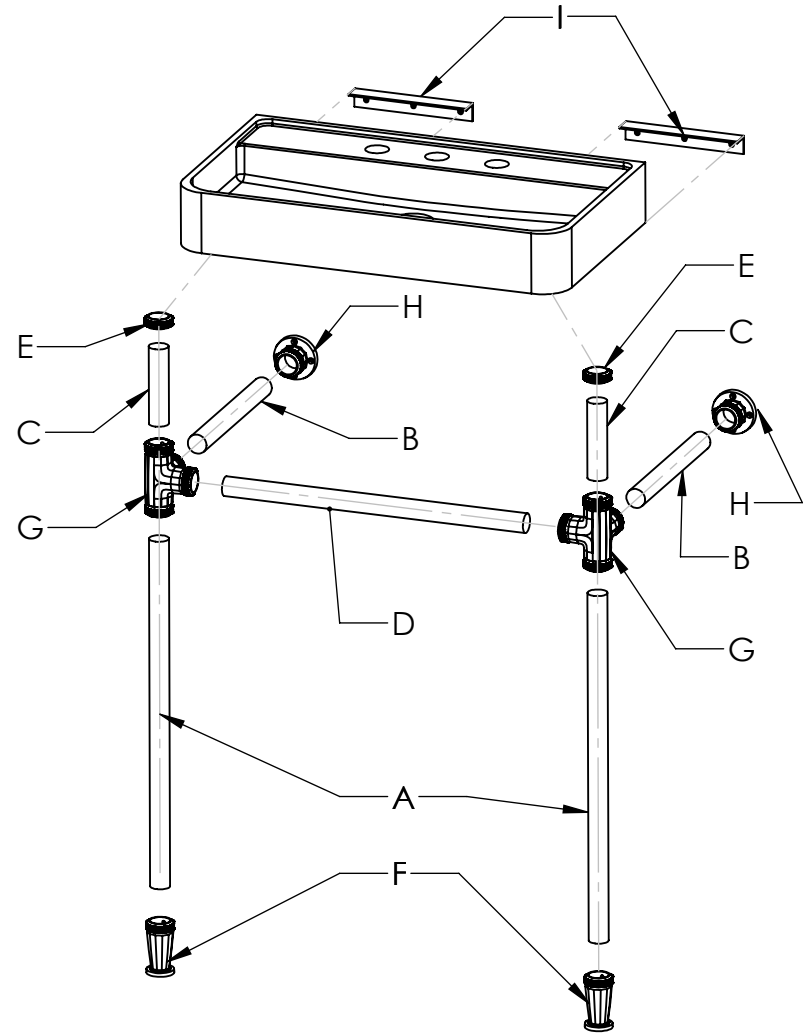
Due to the hand-carving of each piece, small variances in shape and size are to be expected.

SIZE <b>A</b>	DWG. NO. PFT-ST-CNR-2615 - Facet Crossbar with Fluted Lumbre	REV. <b>A</b>
------------------	---	------------------

WEIGHT: SHEET 1 OF 1

©2022 Stone Forest, Inc.

DO NOT SCALE DRAWING



part	item code	description	qty	X
(A)	PFS-TB-23	23" TUBE	X2	
(B)	PFS-TB-11	11" TUBE	X2	
(C)	PFS-TB-5	5" TUBE	X2	
(D)	PFS-TB-23	23" TUBE (CUT TO 20 1/8")	X1	
(E)	PFT-FCT-CLLR	COLLAR/ SET	X1	
(F)	PFT-FCT-FOOT	FOOT/SET	X1	
(G)	PFT-FCT-CNR	CORNER 4-WAY FITTING	X2	
(H)	PFT-FCT-WALL	ESCUTCHEON	X2	
		2" #8 screws - BR, MB or PN w/wall anchors [for part (G) above]	x10	
(I)		1"x1"x8" aluminum wall bracket with screws and anchors for attaching sink to wall - supplied when sink is ordered with stand	x2	
allen wrench (1), white gloves (1pr), extra set screws (6)				

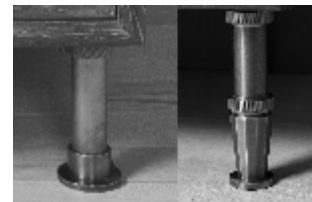


## Elemental Facet legs with crossbar for Lumbre Sink PFT-ST-CNR-2615

DO NOT SCALE DRAWING

DWG. NO.  
PFT-ST-CNR-2615 - Facet Crossbar with Lumbre

©2021 Stone Forest, Inc.



CLASSIC FACET

stand finish \_\_\_\_\_