

Elemental Classic Console Vanity  
with Ventus Bath Sink  
PFS-TD-36-WSD6 and TD-THN-FCT-36

Due to the hand-carving of each piece, small variances in shape and size are to be expected.

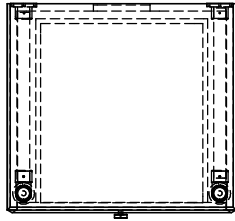
SIZE DWG. NO. PFS-TD -36 WSD6 - Elemental Console Vanity w Ventus 2

REV. A

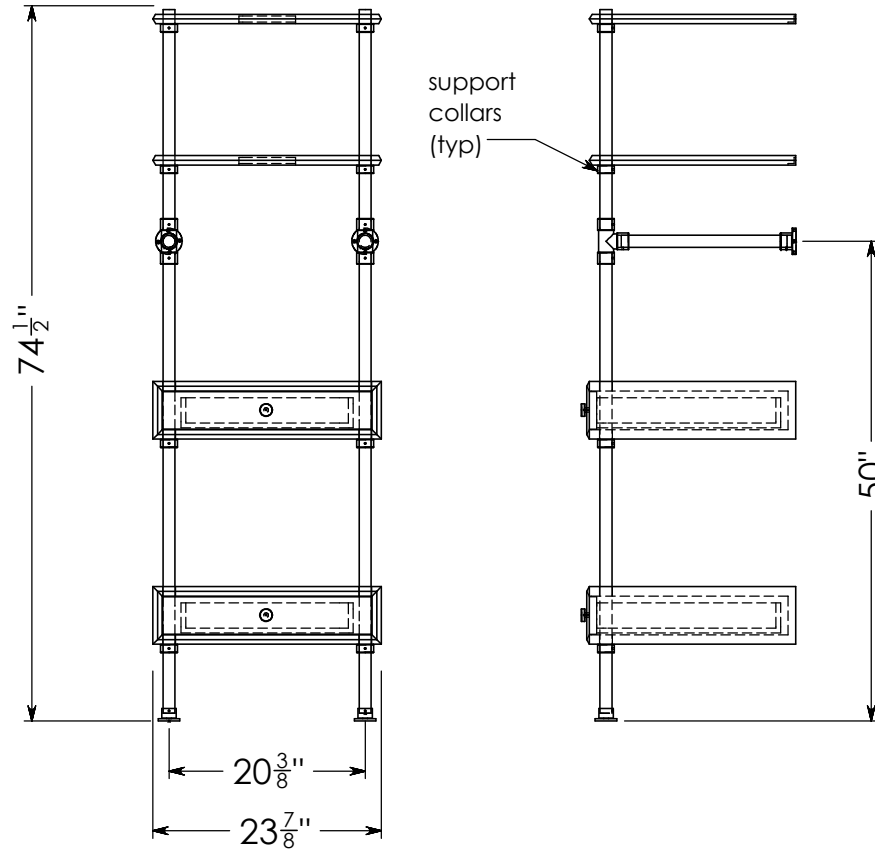
WEIGHT: SHEET 1 OF 1

©2022 Stone Forest, Inc.

DO NOT SCALE DRAWING



Drawers and shelves set at desired height secured on stand by support collar.



24" wide Elemental Storage Unit

Due to the hand-carving of each piece, small variances in shape and size are to be expected.

SIZE **A** DWG. NO. PFS-STG-24

REV. **A**

WEIGHT: SHEET 1 OF 1

©2019 Stone Forest, Inc.

DO NOT SCALE DRAWING