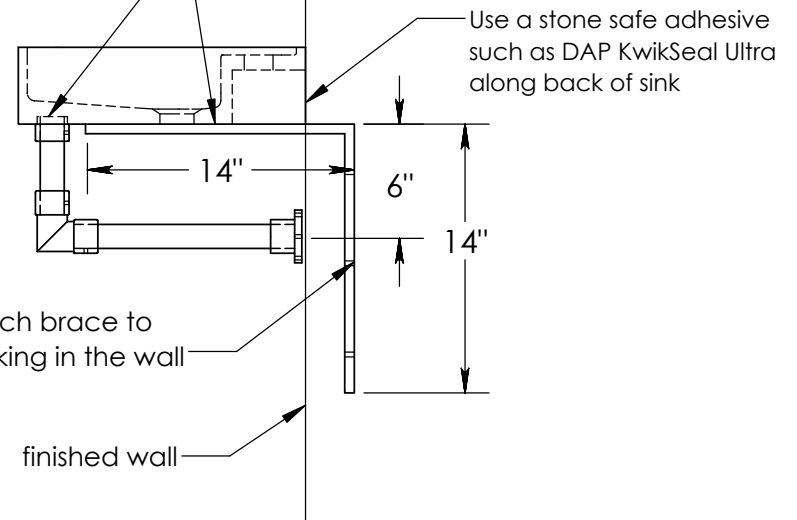
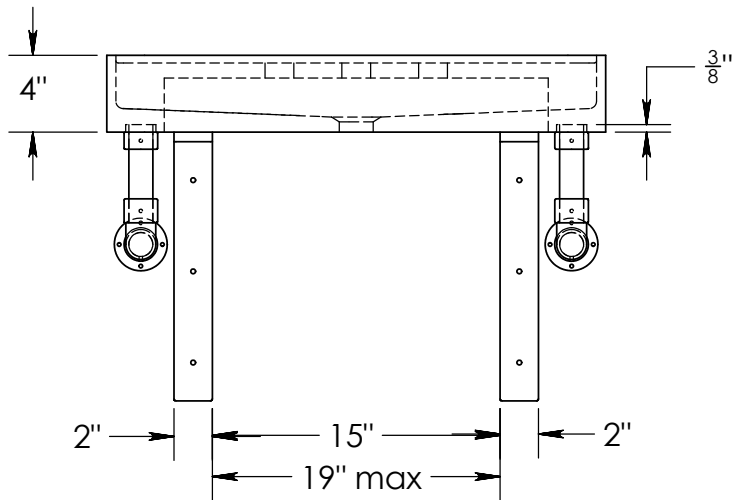


Use a stone safe adhesive such as DAP KwikSeal Ultra along brace top, and where brass attaches to sink



Installation for  
PFS-TDWL-C52 w/ Lumbre

Due to the hand-carving of each piece, small variances in shape and size are to be expected.

link to YouTube installation video:

<https://www.youtube.com/watch?v=JeCHV377MJY&feature=youtu.be>

SIZE DWG. NO.  
**A** PFS-TDWL-52 Elemental Wall unit for TD-THN52-26 lumbre sink

REV.  
**A**

WEIGHT: SHEET 1 OF 1

©2020 Stone Forest, Inc.

DO NOT SCALE DRAWING