

Trough Vanity w/ Crossbar
PFT-ST-CNR-3618

Due to the hand-carving of each piece, small variances in shape and size are to be expected.

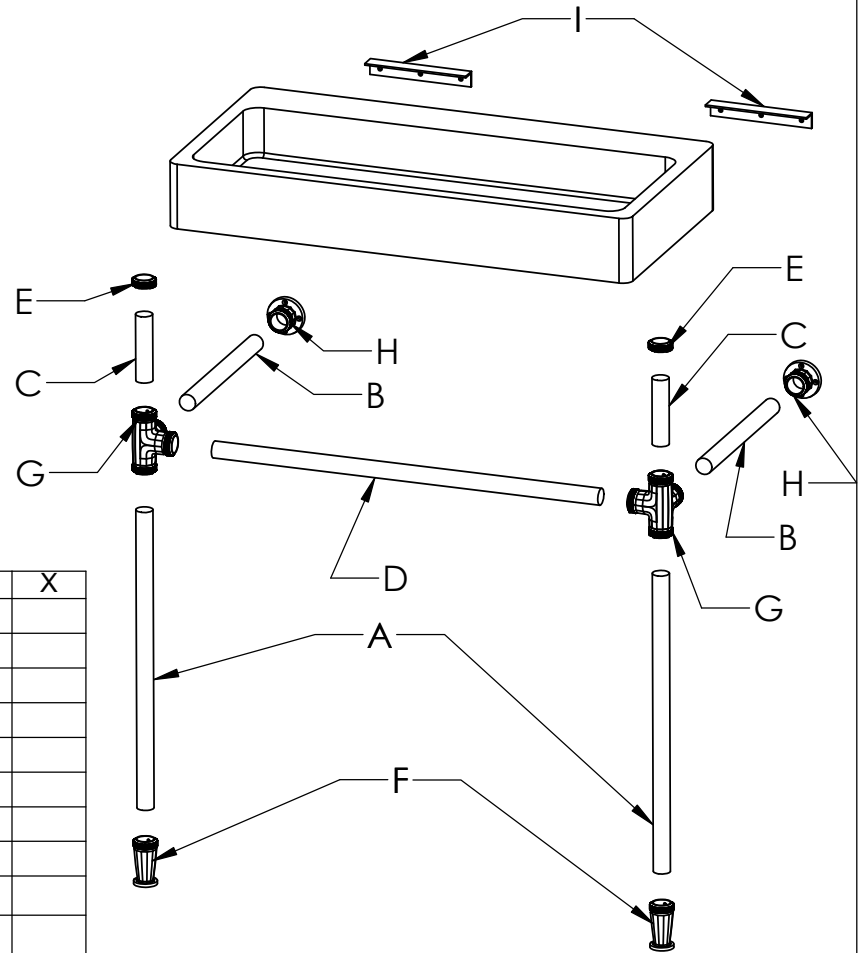
SIZE **A** DWG. NO. PFT-ST-CNR-3618

REV. **A**

WEIGHT: SHEET 1 OF 1

©2022 Stone Forest, Inc.

DO NOT SCALE DRAWING



part	item code	description	qty	X
(A)	PFS-TB-23	23" TUBE	X2	
(B)	PFS-TB-14	14" TUBE	X2	
(C)	PFS-TB-5	5" TUBE	X2	
(D)	PFS-TB-30	30" TUBE (crossbar)	x1	
(E)	PFT-FCT-CLLR	COLLAR/SET	X3	
(F)	PFT-FCT-FOOT	FOOT/SET	X1	
(G)	PFS-FCT-CNR	TEE	X2	
(H)	PFT-FCT-WALL	ESCUTCHEON	X2	
		2" #8 screws - BR,MB or PN w/wall anchors [for part (H) above]	X10	
(I)		1"x1"x8" aluminum wall bracket with screws and anchors for attaching sink to wall - supplied when sink is ordered with stand	X2	
allen wrench (1), white gloves (1pr), 2"x2"x4" spacers for installation (2), extra set screws (6)				



Trough Vanity with Crossbar
PFT-ST-CNR-3618

SIZE **A** DWG. NO. PFT-ST-CNR-3618

WEIGHT: SHEET 1 OF 1

©2022 Stone Forest, Inc.

Due to the hand-carving of each piece, small variances in shape and size are to be expected.



stand finish

FACET

DO NOT SCALE DRAWING