

Fluted Lumbre  
with Lumbre Facet Vanity with Crossbar

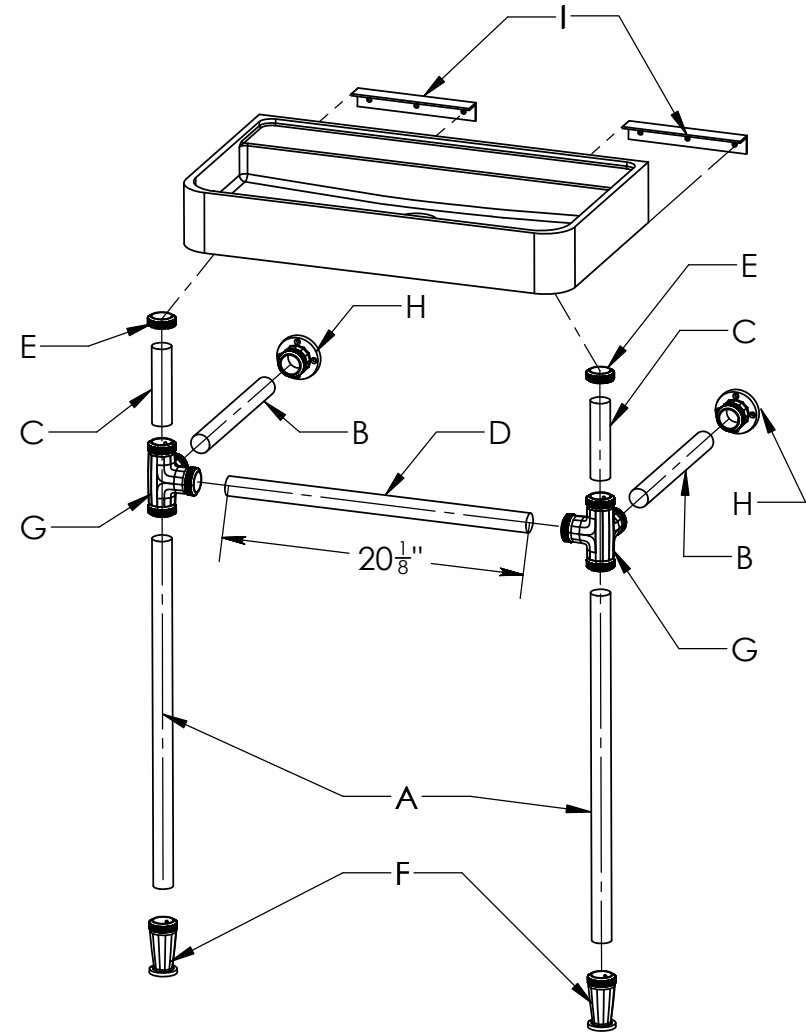
Due to the hand-carving of each piece, small variances in shape and size are to be expected.

SIZE <b>A</b>	DWG. NO. PFT-ST-CNR-2615 - Facet Crossbar with Fluted Lumbre	REV. <b>A</b>
------------------	-----------------------------------------------------------------	------------------

WEIGHT: SHEET 1 OF 1

©2022 Stone Forest, Inc.

DO NOT SCALE DRAWING



part	item code	description	qty	X
(A)	PFS-TB-23	23" TUBE	X2	
(B)	PFS-TB-11	11" TUBE	X2	
(C)	PFS-TB-5	5" TUBE	X2	
(D)	PFS-TB-23	23" TUBE (CUT TO 20 1/8")	X1	
(E)	PFT-FCT-CLLR	COLLAR/ SET	X1	
(F)	PFT-FCT-FOOT	FOOT/SET	X1	
(G)	PFT-FCT-CNR	CORNER 4-WAY FITTING	X2	
(H)	PFT-FCT-WALL	ESCUTCHEON	X2	
		2" #8 screws - BR, MB or PN w/wall anchors [for part (G) above]	x10	
(I)		1"x1"x8" aluminum wall bracket with screws and anchors for attaching sink to wall - supplied when sink is ordered with stand	x2	
allen wrench (1), white gloves (1pr), extra set screws (6)				

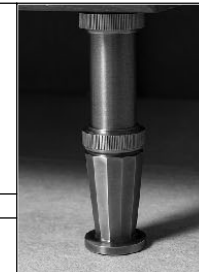


## Elemental Facet Legs with Crossbar for Lumbre Sink PFT-ST-CNR-2615 xx

DWG. NO. PFT-ST-CNR-2615 - Facet Crossbar with Lumbre

DO NOT SCALE DRAWING

©2021 Stone Forest, Inc.



fittings: FACET

stand finish \_\_\_\_\_

1. Using white gloves provided, carefully layout all fittings on a protected surface. Assembly will be required using the included allen wrench.

*NOTE: If you are installing the legs with other components, please see the individual instructions for each component*

2. Assemble the legs as shown and measure the center to center distance on the two FRONT legs. Do NOT measure across the back of the stand as small variations in fitting angles can skew those slightly out of square. This front dimension will be used to locate the center of each wall fitting to insure a square install.
3. Test fit the stand in place assuring the upright legs are plumb and the horizontal arms are level. Mark the heights of the wall fittings. You will use the width taken from the front of the legs to locate each wall fitting along with this height measurement.
4. Set the stand aside carefully and remove the wall fittings with the supplied allen wrench. Proceed to attach only the wall fittings using the measurements taken in steps 2 and 3. If drilling into wood blocking or studs, please pre-drill the holes with a 7/64" bit. This will help with the installation of the softer brass screws. If going into drywall, use the supplied anchors and pre-drill using 3/16" bit.
5. Begin setting the stand in place by inserting one horizontal arm into one of the wall fittings. The second arm may not align exactly with the other wall fitting, but can be pulled or pushed and slid in with a small bit of force. Once fully inserted into the wall fittings, tighten the set screws to lock the tubing in place.
6. Install sink top and bracket according to the sink model. The collars on the top of the stand directly under the sink do not support any weight. Please be sure these are installed before placing the sink. Once the sink is installed, these collars can be adjusted up against the sink bottom.

