

36" Elemental Facet 10" Drawer Vanity with Cap Shelf paired with Terra Bath Sink

SIZE DWG. NO. **A** PFT-ST-36-D10CAP - Elemental Drawer Vanity with Cap Shelf with Terra Sink

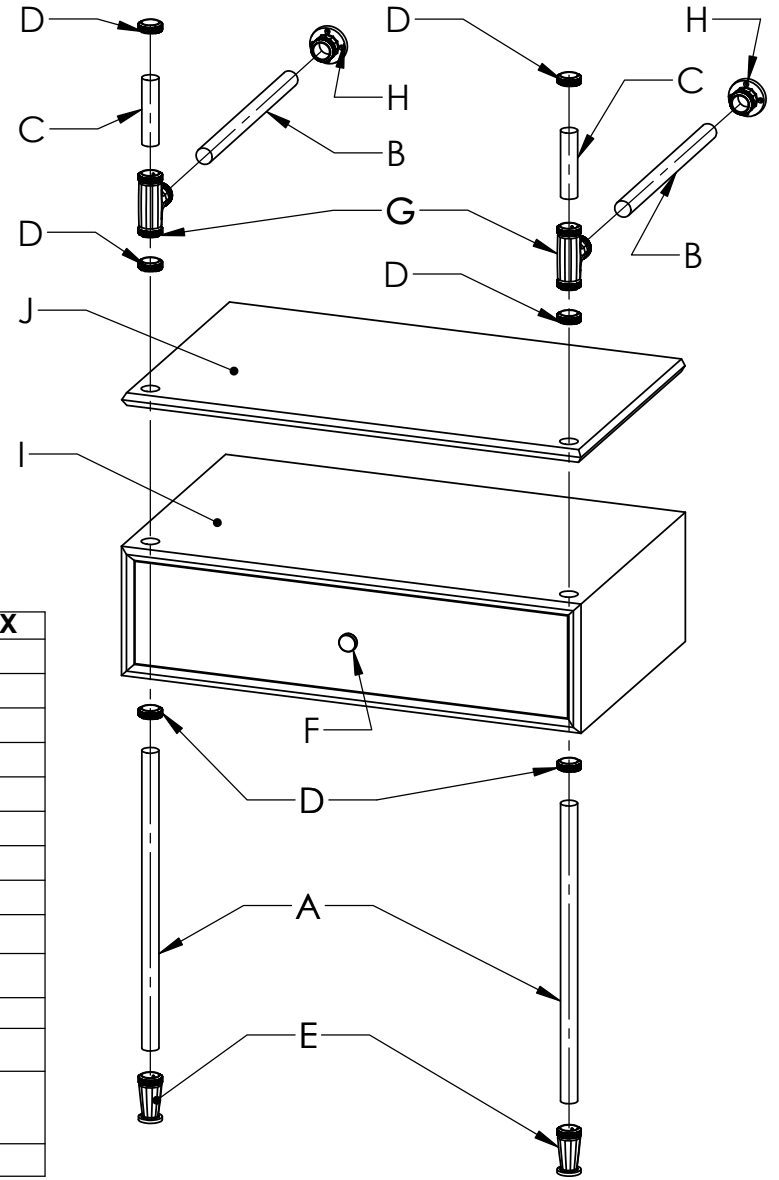
REV. **A**

WEIGHT: SHEET 1 OF 1

©2022 Stone Forest, Inc.

Due to the hand-carving of each piece, small variances in shape and size are to be expected.

DO NOT SCALE DRAWING



part	item code	description	qty	X
(A)	PFS-TB-23	23" TUBE	X2	
(B)	PFS-TB-18	18" TUBE	X2	
(C)	PFS-TB-5	5" TUBE	X2	
(D)	PFT-FCT-CLLR	COLLAR/SET	X3	
(E)	PFT-FCT-FOOT	FOOT/SET	X1	
(F)	PFT-FCT-KNOB	KNOB w/ screw	X1	
(G)	PFT-FCT-TEE	TEE	X2	
(H)	PFT-FCT-WALL	ESCUTCHEON	X2	
		2" #8 screws - BR,MB or PN w/wall anchors [for part (H) above]	X10	
(I)	PFS-DRWR-3610	36"W DRAWER X10"D	X1	
		2" #8 screws-black w/ wall anchors - to attach drawer box to wall	X4	
(J)	PFS-STSLF36	STONE SHELF	X1	
		1"x1"x8" aluminum wall bracket with screws and anchors for attaching sink to wall - supplied when sink is ordered with stand	X2	

allen wrench (1), white gloves (1pr), 2"x2"x4" spacers for installation (2), extra set screws (6)



Elemental Drawer Vanity with Cap Shelf
PT-ST-36-D10xxxCAP-36

SIZE **A** DWG. NO. PFT-ST-36-xx-D10xxCAP exp

WEIGHT: SHEET 1 OF 1

©2022 Stone Forest, Inc.

Due to the hand-carving of each piece, small variances in shape and size are to be expected.



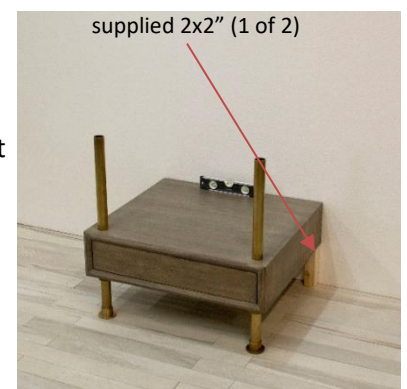
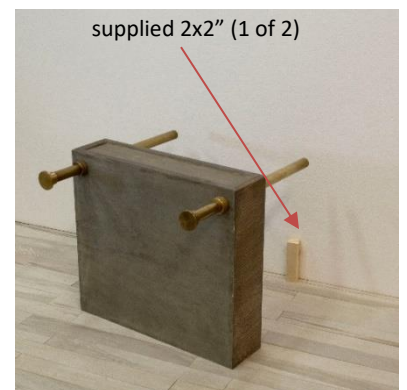
stand finish _____
wood finish _____
stone finish _____

circle one

DO NOT SCALE DRAWING

Floor level (see back of page for instructions on mounting higher up)

- Using white gloves provided, carefully layout all brass or nickel fittings on a protected surface. Some assembly will be required using the included allen wrench.
- Start with the legs. The bottom collars and feet need to be installed to support the drawer 4-8" from the ground depending on model and preference. Carefully slide the legs through the drawer unit from the top and then slide the collars on from the bottom followed by the feet. Tighten the feet first and then set the collars so the distance from the bottom of the feet to the bottom of the drawer (top of collar) is the same as the 2x2" supports included.
- Set the 2 pcs of 2x2 wood supports against the back wall where the console is to be installed.
- Move the drawer and legs into position with the rear of the drawer being supported by the 2x2's. At this time the drawer should be close to level, but does not need to be exact. Remove the drawer from the cabinet box by depressing the tabs on the drawer glides (one pushes up, the other pushes down) and level the back edge of the drawer (left to right)
Once level, use the supplied screws (and anchors if needed) to attach the cabinet box to the wall. For the strongest installation, we recommend locating at least one stud along the back of the cabinet and predrilling a 1/8" hole in the cabinet back.
- Once the drawer is attached securely to the wall you can level front to back and left to right along the front edge by loosening the collars on the legs and moving up or down slightly.



Upper position (see front of page for instructions on mounting floor level)

1. Slide one collar onto each leg at the desired height for the bottom of the drawer.
2. Remove the drawer from the cabinet box by depressing the tabs on the drawer glides (one pushes up, the other pushes down)
3. With the help of someone else, carefully slide the empty drawer cabinet down onto the brass legs being careful not to twist it and scratch the legs.
4. Hold the unit level against the wall. Be sure to level left to right AND front to back. Once level, use the supplied screws (and anchors if needed) to attach the cabinet to the wall. For the strongest installation, we recommend locating at least one stud along the the back of the cabinet and predrilling a 1/8" hole in the cabinet back.
5. Once the drawer is attached to the wall, check for level again. Any fine tuning can be done at the front collars using the provided allen wrench.
6. Insert the drawer back into the cabinet.

1. Using white gloves provided, carefully layout all brass or nickel fittings on a protected surface. Some assembly will be required using the included allen wrench.
2. With help, stand the shelf up on it's back edge and carefully slide the legs through the shelf from the top about 4".
3. Slide one collar up from the bottom on each leg followed by the feet. Tighten the feet first then slide the legs through the shelf to the desired installation height measuring from the bottom of the foot to the bottom of the shelf. While one person holds the leg in place, the other can slide the collar against the bottom of the shelf and tighten. The opportunity to fine tune the height will come later.
4. Now install the aluminum bracket to support the rear of the shelf onto your wall. Top of the bracket should be level and at the height for the bottom of the shelf. This cannot be adjusted once the shelf is set up. For the strongest installation we recommend one of the screws goes into a stud, but the anchors and supplied screws will support the shelf fully if no stud is available.
5. Move the shelf and legs into position and check that the back edge of the shelf sits flat and level on the aluminum wall bracket just installed. At this time, you can adjust the collars supporting the front to level the shelf from front to back and side to side.
6. Once you are happy with the setup, have someone help lift the back of the shelf off the wall bracket and apply a bead of adhesive caulk to the top of the bracket. We recommend Dap Kwikseal or PL Adhesive for stone. Set the shelf down and press into adhesive and against the wall. Allow to dry per manufacturer's instructions.
7. Slide the second set of collars onto the legs to fit on top of the shelf and tighten.

1. Slide one collar onto each leg at the desired height for your shelf.
2. Level the collars across the front.
3. With blue tape placed vertically on the back wall centered in your installation location, place a mark on it using the level from the top of either collar just installed. Double check from the other collar that this mark is level with the front collars.
4. Install the angle bracket onto the wall with the top of the bracket level with the mark placed.
5. Carefully slide the shelf down onto the front legs being careful not to twist the shelf and scratch the legs. Blue tape can be used on the tubing to help prevent scratching. Please remove immediately after installing shelf.
6. Once the shelf is resting on the collars and bracket, check for level again front to back, and side to side.
7. Any fine tuning can be done at the front collars using the provided allen wrench.
8. Once you are happy with the setup, have someone help lift the back of the shelf off the wall bracket and apply a bead of adhesive caulk to the top of the bracket. We recommend Dap Kwikseal or PL Adhesive for stone. Set the shelf down and press into adhesive and against the wall. Allow to dry per manufacturer's instructions.
9. Slide the second set of collars onto the legs to fit on top of the shelf and tighten.