

part	item code	description	qty	X
(A)	PFS-TB-23	23" TUBE	X2	
(B)	PFS-TB-11	11.5" TUBE	X2	
(C)	PFS-TB-5	5" TUBE	X2	
(D)	PFT-FCT-CLLR	COLLAR/ SET	X3	
(E)	PFS-FOOT	FOOT/SET	X1	
(F)	PFS-TEE	TEE	X2	
(G)	PFS-WALL	ESCUTCHEON	X2	
		2" #8 screws - BR, MB or PN w/wall anchors [for part (G) above]	x10	
(H)	PFS-STSLF-26FLT VI	26" x 15" Stone Shelf	x1	
(I)		1"x1"x8" aluminum wall bracket with screws and anchors for attaching sink and self to wall	x3	

allen wrench (1), white gloves (1pr), extra set screws (6), 2"x2"x6" spacer for installation

STONE
FOREST

Elemental Facet Vanity w Stone Shelf and Fluted Lumbre stand: PFT-ST2615-xx-SSxx sink: TD-THN52-FLT xx

DWG. NO. PFT-ST-2615-SS - Fit Lumbre Facet Legs wShelfexp DO NOT SCALE DRAWING

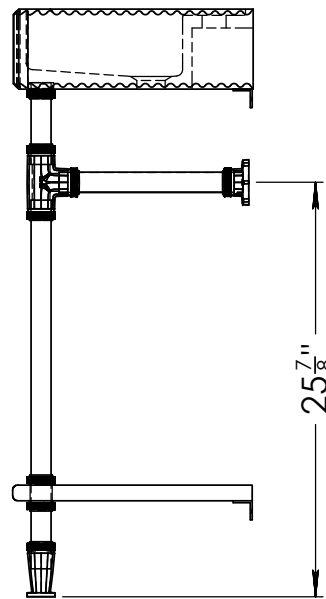
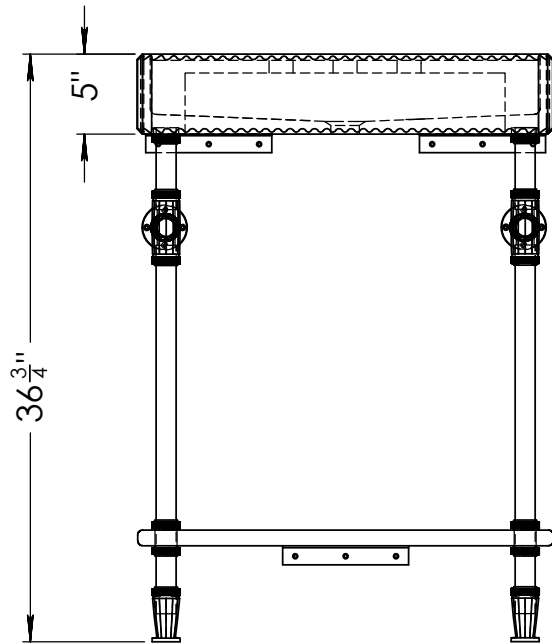
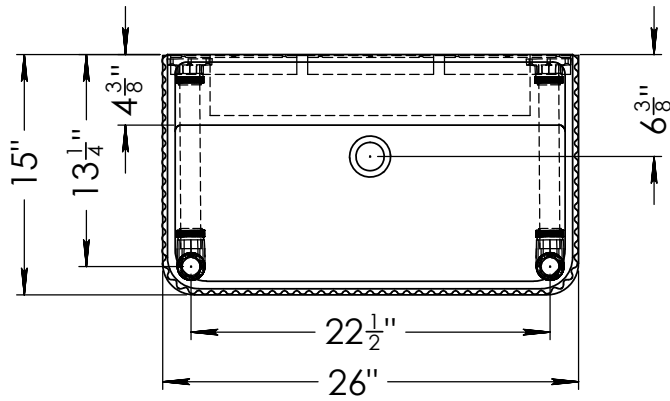
©2021 Stone Forest, Inc.



FITTINGS: facet

stand finish _____

stone finish _____



Lumbre Shelf Vanity
with Fluted Lumbre
PFT-ST-2615-xx-SS-xx

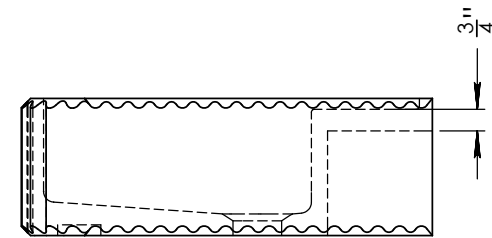
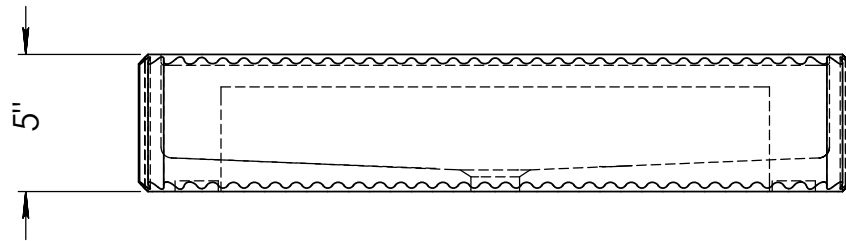
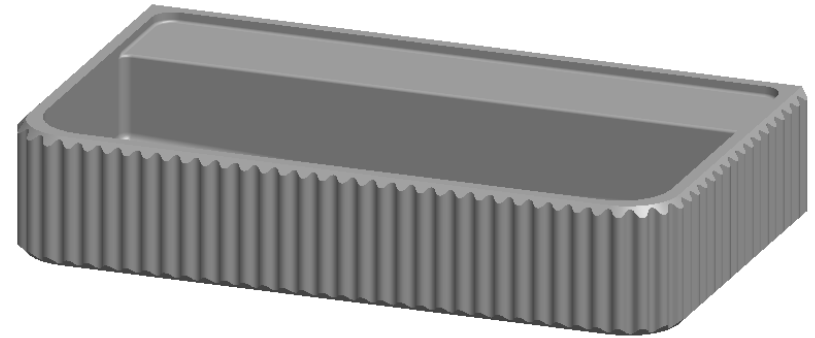
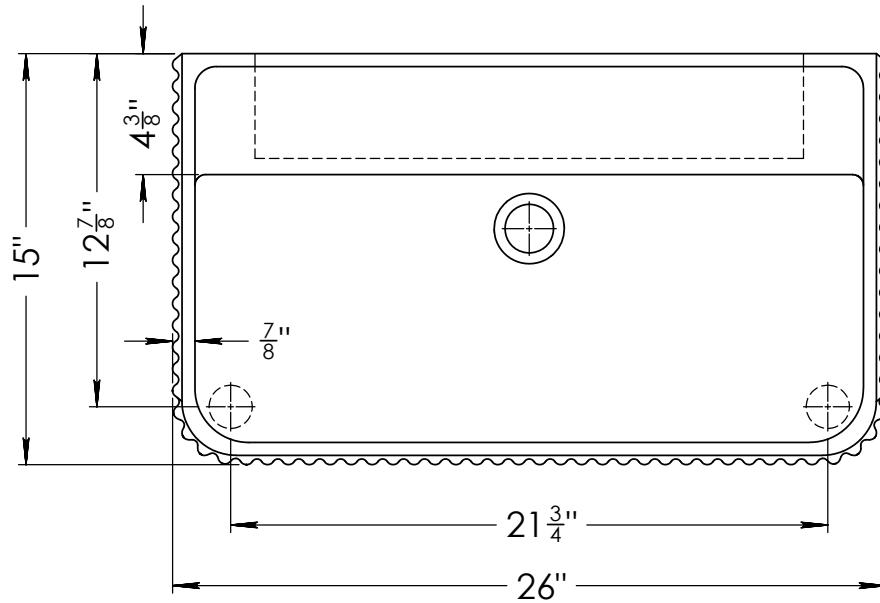
Due to the hand-carving of each piece, small variances in shape and size are to be expected.

SIZE A	DWG. NO. PFT-ST-2615-SS - Flt Lumbre Facet Legs wShelfexp	REV. A
------------------	--	------------------

WEIGHT: SHEET 1 OF 1

©2022 Stone Forest, Inc.

DO NOT SCALE DRAWING



Fluted Lumbre Sink
TD-THN52-FLT

Due to the hand-carving of each piece, small variances in shape and size are to be expected.

SIZE	DWG. NO.	REV.
A	TD-THN52-FLT - Fluted Lumbre	A

WEIGHT: SHEET 1 OF 1

©2022 Stone Forest, Inc.

DO NOT SCALE DRAWING

1. Using white gloves provided, carefully layout all brass or nickel fittings on a protected surface. Some assembly will be required using the included allen wrench.
2. With help, stand the shelf up on it's back edge and carefully slide the legs through the shelf from the top about 4".
3. Slide one collar up from the bottom on each leg followed by the feet. Tighten the feet first then slide the legs through the shelf to the desired installation height measuring from the bottom of the foot to the bottom of the shelf. While one person holds the leg in place, the other can slide the collar against the bottom of the shelf and tighten. The opportunity to fine tune the height will come later.
4. Now install the aluminum bracket to support the rear of the shelf onto your wall. Top of the bracket should be level and at the height for the bottom of the shelf. This cannot be adjusted once the shelf is set up. For the strongest installation we recommend one of the screws goes into a stud, but the anchors and supplied screws will support the shelf fully if no stud is available.
5. Move the shelf and legs into position and check that the back edge of the shelf sits flat and level on the aluminum wall bracket just installed. At this time, you can adjust the collars supporting the front to level the shelf from front to back and side to side.
6. Once you are happy with the setup, have someone help lift the back of the shelf off the wall bracket and apply a bead of adhesive caulk to the top of the bracket. We recommend Dap Kwikseal or PL Adhesive for stone. Set the shelf down and press into adhesive and against the wall. Allow to dry per manufacturer's instructions.
7. Slide the second set of collars onto the legs to fit on top of the shelf and tighten.

1. Slide one collar onto each leg at the desired height for your shelf.
2. Level the collars across the front.
3. With blue tape placed vertically on the back wall centered in your installation location, place a mark on it using the level from the top of either collar just installed. Double check from the other collar that this mark is level with the front collars.
4. Install the angle bracket onto the wall with the top of the bracket level with the mark placed.
5. Carefully slide the shelf down onto the front legs being careful not to twist the shelf and scratch the legs. Blue tape can be used on the tubing to help prevent scratching. Please remove immediately after installing shelf.
6. Once the shelf is resting on the collars and bracket, check for level again front to back, and side to side.
7. Any fine tuning can be done at the front collars using the provided allen wrench.
8. Once you are happy with the setup, have someone help lift the back of the shelf off the wall bracket and apply a bead of adhesive caulk to the top of the bracket. We recommend Dap Kwikseal or PL Adhesive for stone. Set the shelf down and press into adhesive and against the wall. Allow to dry per manufacturer's instructions.
9. Slide the second set of collars onto the legs to fit on top of the shelf and tighten.