

**TD-TRG-36
Trough Console**

-Available in Antique Gray limestone (AGL) and Carrara Marble (CA)

-All honed

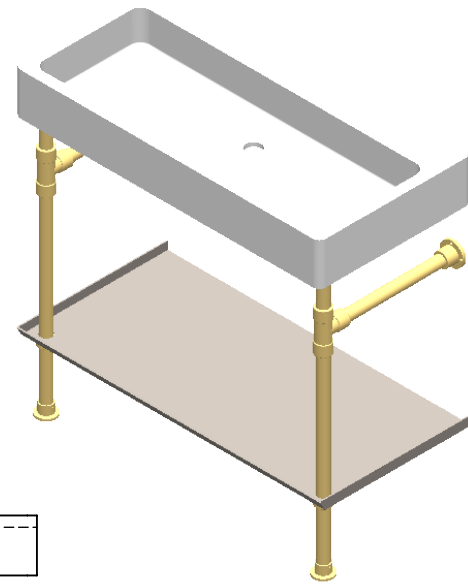
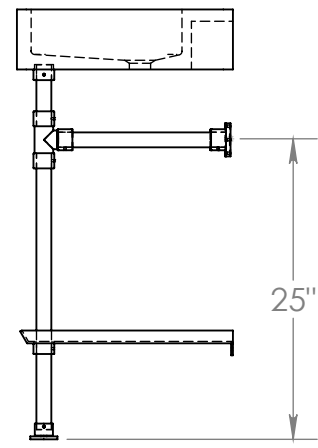
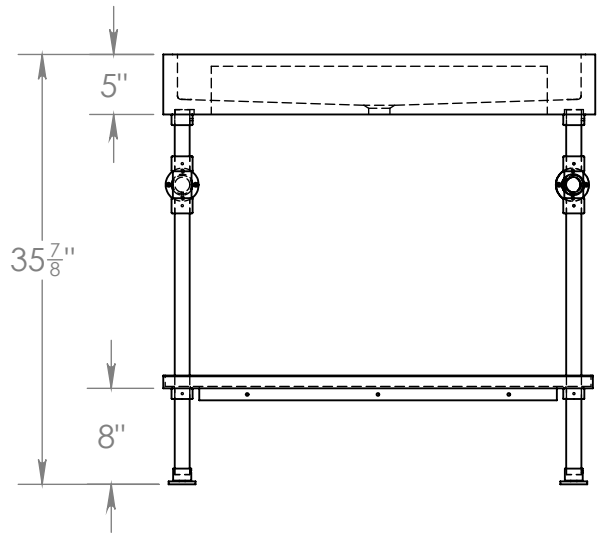
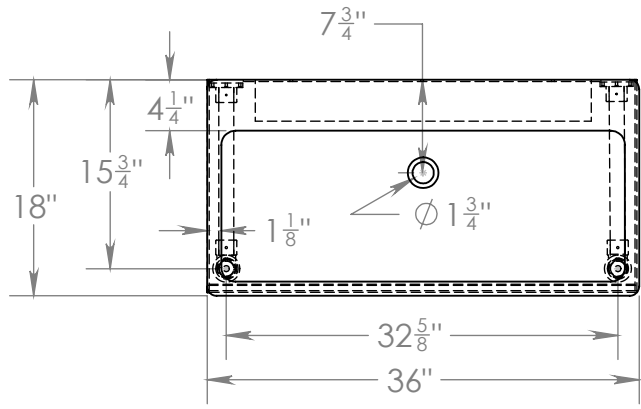
-Approximate thickness at drain is 3/4".
Required drain use 9054D Grid Drain.
This can be supplied by Stone Forest at your request in select finishes.

-Made to fit Trough Vanity #PFS-TRG-3618-xx or Trough Tray Vanity #PFS-TRG-3618-xx-TT

-Do not use pop-up drains.

-Do not use plumber's putty.

-Approx 120lbs.



36" Trough vanity and console with tray

Due to the hand-carving of each piece, small variances in shape and size are to be expected.

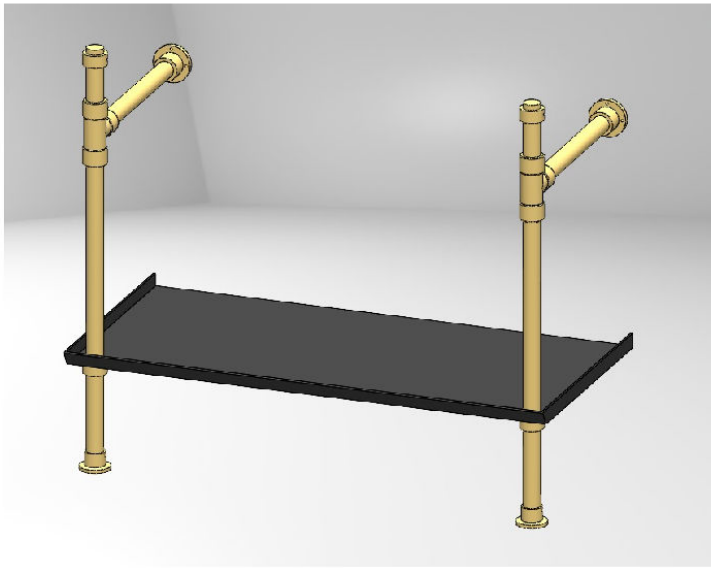
SIZE DWG. NO. **A** TD-TRG-36 -- PFS-TDTRGTRY-3618

REV. **A**

WEIGHT: SHEET 1 OF 1

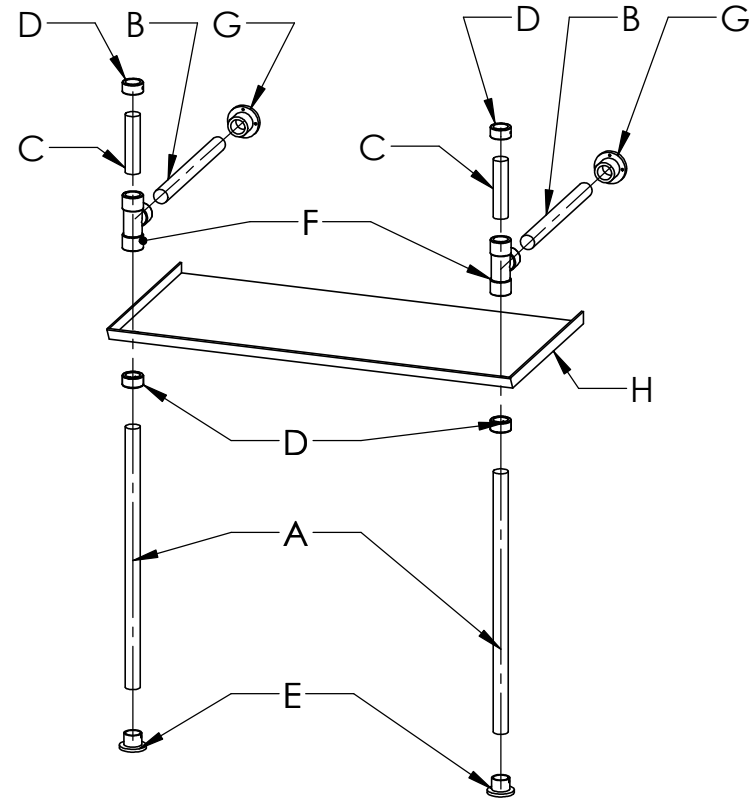
©2020 Stone Forest, Inc.

DO NOT SCALE DRAWING



part	item code	description	qty	X
(A)	PFS-TB-23	23" TUBE	X2	
(B)	PFS-TB-14	14" TUBE	X2	
(C)	PFS-TB-5	5" TUBE	X2	
(D)	PFS-CLLR	COLLAR/SET	X2	
(E)	PFS-FOOT	FOOT/SET	X1	
(F)	PFS-TEE	TEE	X2	
(G)	PFS-WALL	ESCUTCHEON	X2	
		2" #8 screws- BR, MB or PN - w/wall anchors [for part (G) above]	x10	
(H)	PFS-MTTRGTRY-36	36" x 18" TROUGH METAL TRAY	x1	
		2" #8 screws-black- w/ wall anchors - to install metal tray (H)	x4	
		1"x1"x8" aluminum wall bracket with screws and anchors supplied to attach sink to wall when sink is purchased	x2	

allen wrench (1), white gloves (1pr), extra set screws (6), 2"x2"x8" spacers for installation (2)



STONE
FOREST

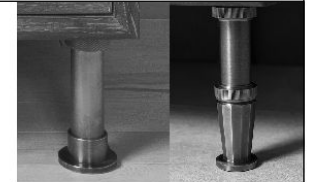
PFS-TRG-3618-xx-TT Elemental Trough Tray Vanity

DO NOT SCALE DRAWING

DWG. NO.

PFS-TRG-3618-TT - Elemental Trough Tray Vanity

©2021 Stone Forest, Inc.



circle one: CLASSIC FACET

stand finish _____

- Using white gloves provided, carefully layout all brass or nickel fittings on a protected surface. Some assembly will be required using the included allen wrench.
- Start with the front legs. The bottom collars and feet should be installed to support the shelf 8" from the floor (bottom of feet to top of collars should match the wood 2x2 spacers sent. There will be time later to fine tune and level.
- Carefully slide the legs through the metal tray unit from the bottom. We've included 2pcs of 2x2" wood cut to 8" to help with the initial location of the tray on the wall.
- Move the tray and legs into position. Level the back edge of the metal tray left to right. Once level, use the supplied screws (and anchors if needed) to attach the tray to the wall. Once the back is anchored to the wall, you can level the tray along the front edge, and front to back, by adjusting the collars up or down.
- Set the return arms onto the front legs. Verify that the arms are square and level before marking and drilling holes for the brass escutcheon. If drilling into wood blocking or studs, please pre-drill the holes with a 7/64" bit. This will help with the installation of the softer brass screws. If going into drywall, use the supplied anchors and pre-drill using 3/16" bit.

