

link to YouTube installation video: <https://www.youtube.com/watch?v=JeCHV377MJY&feature=youtu.be>



Ventus Bath Sink with Faucet Deck
mounted on Elemental Wall Unit

Due to the hand-carving of each piece, small variances in shape and size are to be expected.

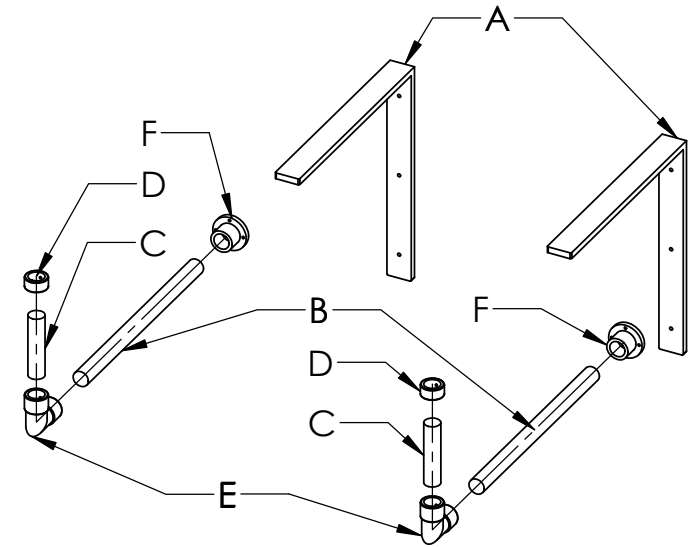
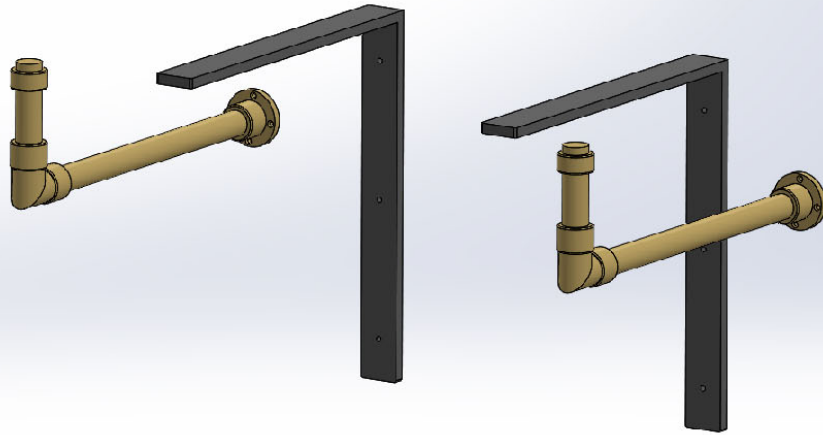
SIZE **A** DWG. NO. PFS-TDWL TD-THNFCT36

REV. **A**

WEIGHT: SHEET 1 OF 1

©2019 Stone Forest, Inc.

DO NOT SCALE DRAWING



part	item code	description	qty	X
(A)	PFS-BRKT 18BL (FB #30059)	18X18X2 HIDDEN STEEL BRACKETS	X2	
	2" #8 screws-black - to attach hidden steel brackets to blocking [for part (A) above]		X6	
(B)	PFS-TB-18	18" TUBE	X2	
(C)	PFS-TB-5	5" TUBE	X2	
(D)	PFS-CLLR	COLLAR/ SET	X1	
(E)	PFS-ELB	ELBOW	X2	
(F)	PFS-WALL	ESCUTCHEON	X2	
	2" #8 screws BR, MB or PN w/wall anchors [for part (h) above]		X10	
allen wrench (1), white gloves (1pr), extra set screws (6)				



PFS-TDWL Elemental Wall Unit

DWG. NO.

PFS-TDWL - Elemental Wall Unit

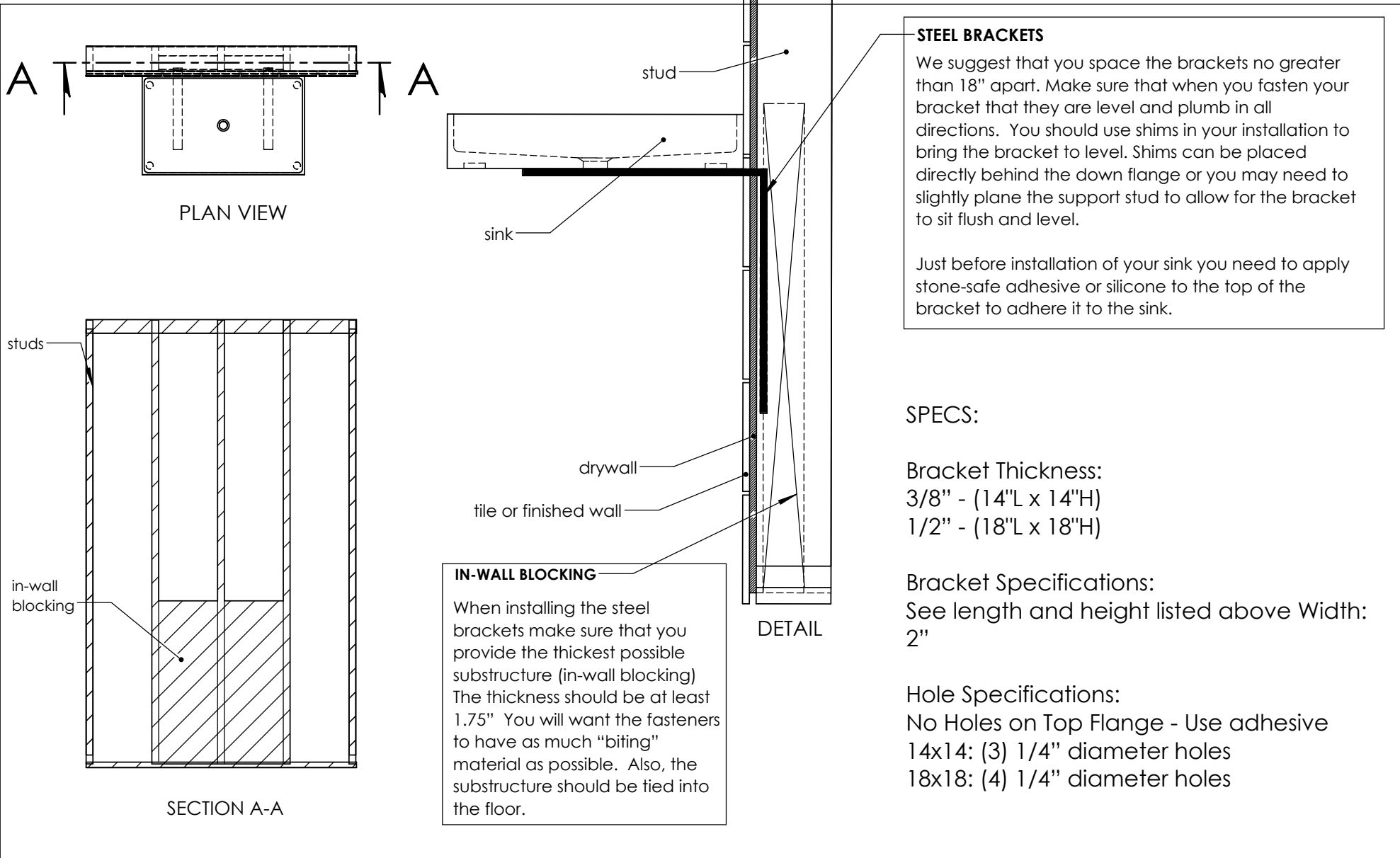
DO NOT SCALE DRAWING

©2021 Stone Forest, Inc.



circle one: CLASSIC FACET

stand finish _____



Installation information for Steel Brackets

Item# PFS-BRKT-18 BL and
 Item# PFS-BRKT-14 BL

SIZE A	DWG. NO. PFS-BRKT-18 BL - Hidden Steel Bracket	REV. A
SHEET 1 OF 1		DO NOT SCALE DRAWING

©2022 Stone Forest, Inc.

Note that this installation document should not be considered a specific recommendation for your particular application. Stone Forest cannot provide installation guidelines to meet the particulars of every application. This document should be considered a help sheet that provides considerations about the general characteristics of a particular type of support and installation.

1. Install steel in-wall brackets following manufacturers recommendation in the following video.
 - a. <https://www.youtube.com/watch?v=JeCHV377MJY>
2. The decorative finished arms will be installed after the wall is completed and sink is installed.
 - a. These are mainly decorative and can be installed in drywall with the supplied anchors, but they install more securely if blocking can be provided behind the finished wall.
3. Finish wall leaving only horizontal portions of the steel brackets exposed.
4. If using deck mounted faucets, it may be easiest to install before setting the sink onto the wall brackets.
5. Set and secure the sink on the steel brackets using a bead of marble safe construction adhesive or caulk such as Dap Kwik Seal Ultra.
6. This adhesive or caulk should also be used to seal and secure the sink to the wall.
7. Fasten drain to vessel per drain instructions. Use only stain free plumbers putty that is safe for marble. Test on a small hidden area of the sink first.
8. Attach supply lines to faucet
9. Using white gloves provided, carefully layout all metal fittings for the decorative wall unit arms on a protected surface. Assembly will be required using the included allen wrench.
10. Assemble each arm completely (see attached diagram). For sinks with holes in the bottom front corners, the collar on the upright tube should be set approximately 3/8" down from the top.
11. Installing one arm at a time, dry fit the arm into place being sure the upright tube sits up into the recess on the underside of the sink if present. You may need to loosen the set screws and adjust tubing lengths.
12. With help, have someone hold a level on the horizontal tube while you mark the holes for the wall fitting.
13. Remove the arm and prep the wall for anchors or screws.
 - a. If installing into drywall, set the provided blue drywall anchors into position.
 - b. If you have blocking or a stud behind the wall fitting, predrill holes to better accept the screws
14. Mix JB Weld until very pliable and fill in each hole on the underside of the sink. Be sure the holes are clean and dry.
15. Firmly press the upright tubing into the JB Weld while positioning the wall fitting to the wall and screwing in.
16. Start with top screw, being careful not to mar the tube or fitting finishes. Tighten this screw sufficiently to hold the arm in place with no sagging.
17. Install bottom, left, then right screws taking care not to overtighten. Excessive tightening will move the arm down, left or right and away from the sink.
18. Repeat for the other arm.
19. Allow the adhesives and JB Weld to set before using.