

| part | item code | description | qty | X |
|--|--|-------------|-----|---|
| (A) | PFS-TB-23 | 23" TUBE | X2 | |
| (B) | PFS-TB-18 | 18" TUBE | X2 | |
| (C) | PFS-TB-5 | 5" TUBE | X2 | |
| (D) | PFS-CLLR | COLLAR/ SET | X1 | |
| (E) | PFS-FOOT | FOOT/SET | X1 | |
| (F) | PFS-TEE | TEE | X2 | |
| (G) | PFS-WALL | ESCUTCHEON | X2 | |
| | 2" #8 screws - BR, MB or PN w/wall anchors [for part (G) above] | | x10 | |
| | 1"x1"x8" aluminum wall bracket with screws and anchors for attaching sink to wall - supplied when sink is ordered with stand | | x2 | |
| allen wrench (1), white gloves (1pr), extra set screws (6) | | | | |

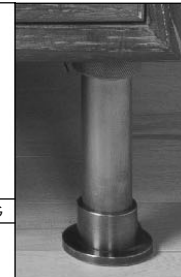


Elemental Classic Vanity Legs PFS-TD xx

DWG. NO. PFS-TD - Classic Vanity Legs

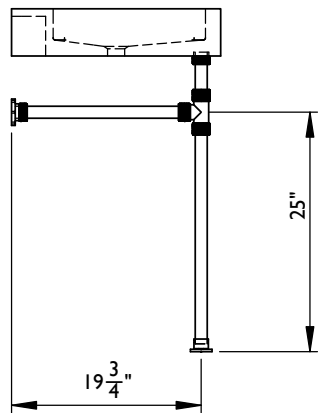
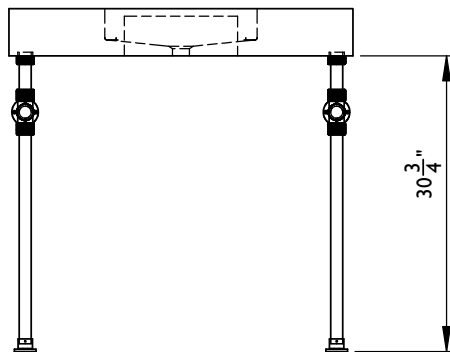
DO NOT SCALE DRAWING

©2021 Stone Forest, Inc.



fittings: CLASSIC

stand finish _____



STONE FOREST, INC.

PFS-TD

Elemental Vanity Legs

See website for available finishes

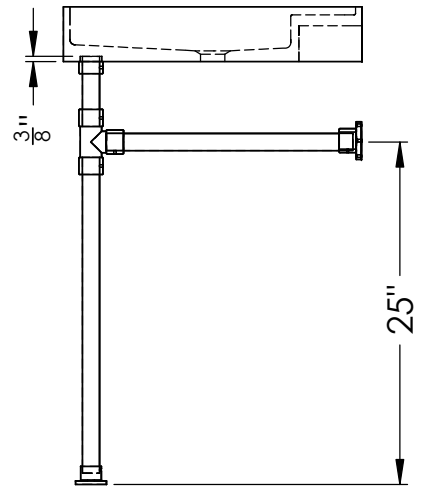
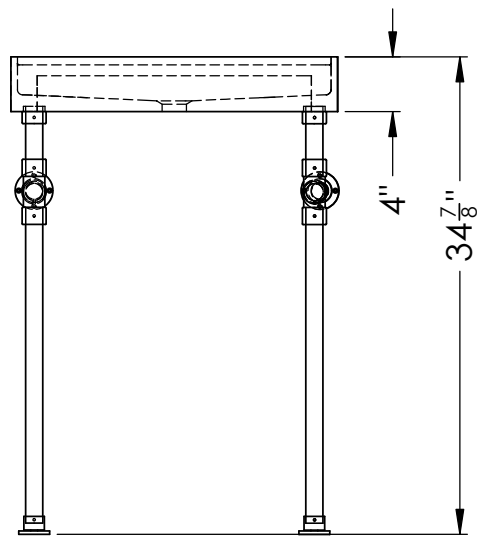
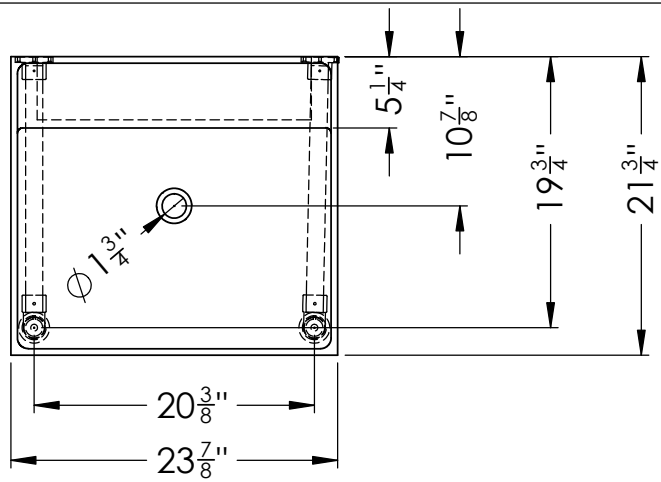
**Does not include sink top
Shown only for suggested setup

Includes leveling feet

Independent legs can span
any width top

Can be custom cut

Drain rough-in should be
18-24" from finished floor



Elemental Classic Vanity Legs
 PFS-TD xx
 with Ventus Bath Sink TD-THN-FCT-24 xx

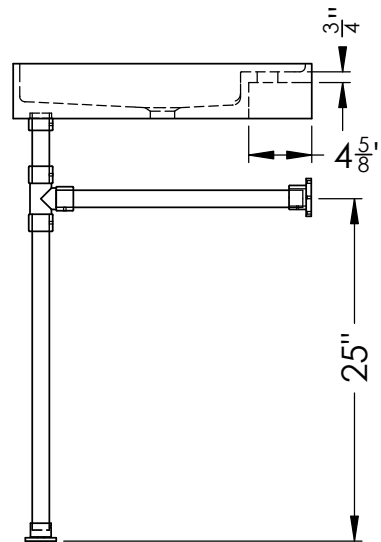
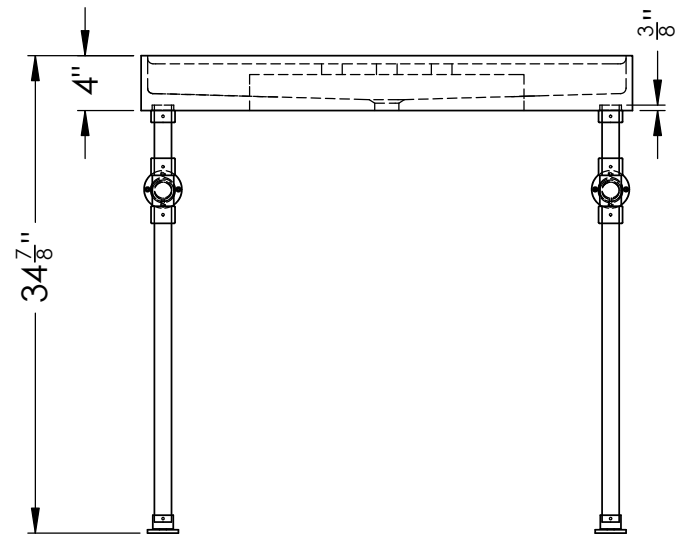
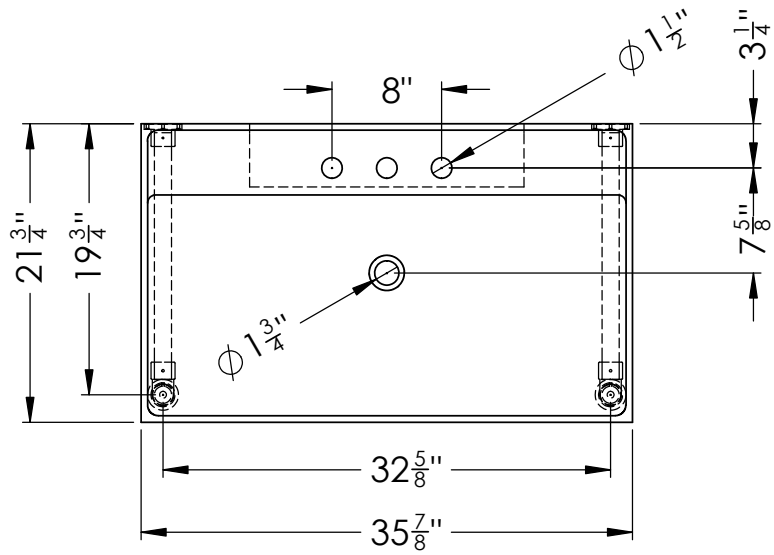
SIZE **A** DWG. NO. PFS-TD-24 xx with Ventus REV. **A**

WEIGHT: SHEET 1 OF 1

©2022 Stone Forest, Inc.

Due to the hand-carving of each piece, small variances in shape and size are to be expected.

DO NOT SCALE DRAWING



Elemental Classic Vanity Legs
with 36" Ventus w/ Faucet Deck
PFS-TD with TD-THN-FCT-36

Due to the hand-carving of each piece, small variances in shape and size are to be expected.

SIZE **A** DWG. NO. PFS-TD - Elemental Vanity Legs with Ventus REV. **A**

WEIGHT: SHEET 1 OF 1

©2022 Stone Forest, Inc.

DO NOT SCALE DRAWING

1. Using white gloves provided, carefully layout all brass or nickel fittings on a protected surface. Some assembly will be required using the included allen wrench.

NOTE: If you are installing the legs with other components, please see the individual instructions for each component



2. Assemble the legs as shown.
On the underside of the sinks there are 2-4 recessed holes to accept the top 3/8" of each leg. Measure the center to center distance on the two front holes. This will be your measurement for locating the center of each wall connection.
Set the legs up so they are plumb, level and square against the wall and attach using the supplied screws and anchors (if needed).
If drilling into wood blocking or studs, please pre-drill the holes with a 7/64" bit. This will help with the installation of the softer brass screws. If going into drywall, use the supplied anchors and pre-drill using 3/16" bit.



3. Install sink top and bracket according to the sink model.
The collars directly under the sinks do not support any weight. These can be adjusted up against the sink bottom when you are done with the final assembly.

