

Elemental Classic Legs with Crossbar and Drawer with Ventus Bath Sink

PFS-TD-CNR-36-D6 with TD-THN-FCT-36

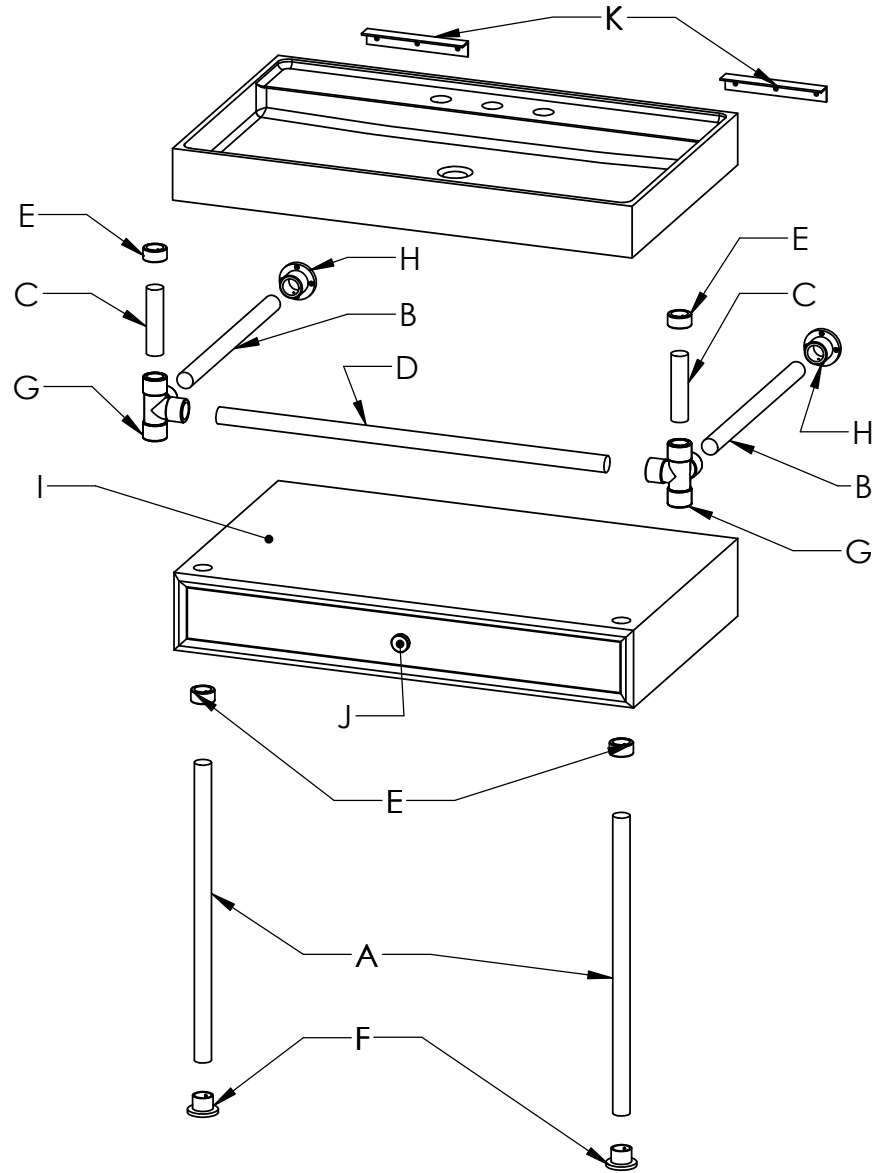
Due to the hand-carving of each piece, small variances in shape and size are to be expected.

SIZE **A** DWG. NO. PFS-TD-CNR-36 D6 - Classic Crossbar w Drawer Ventus REV. **A**

WEIGHT: SHEET 1 OF 1

©2022 Stone Forest, Inc.

DO NOT SCALE DRAWING



part	item code	description	qty	X
(A)	PFS-TB-23	23" TUBE	X2	
(B)	PFS-TB-18	18" TUBE	X2	
(C)	PFS-TB-5	5" TUBE	X2	
(D)	PFS-TB-31	31" TUBE	X1	
(E)	PFS-CLLR	COLLAR/ SET	X1	
(F)	PFS-FOOT	FOOT/SET	X1	
(G)	PFS-CNR	CORNER FITTING	X2	
(H)	PFS-WALL	ESCUTCHEON	X2	
		2" #8 screws - BR, MB or PN w/wall anchors [for part (G) above]	x10	
(I)	PFS-DRWR-36x22x6	6" HIGH DRAWER	X1	
(J)	PFS-KNOB	KNOB	X1	
(K)		1"x1"x8" aluminum wall bracket with screws and anchors for attaching sink to wall - supplied when sink is ordered with stand	x2	
allen wrench (1), white gloves (1pr), extra set screws (6), 2x2x6 spacer for installation				

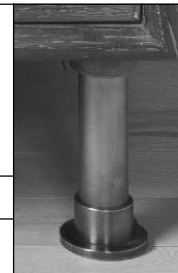


Elemental Classic Legs with Crossbar and 6" h drawer PFS-TD-CNR-36-xx-D6xx

DWG. NO. PFS-TD-CNR-36 D6 - Classic Crossbar w Drawer Ventus

©2021 Stone Forest, Inc.

DO NOT SCALE DRAWING



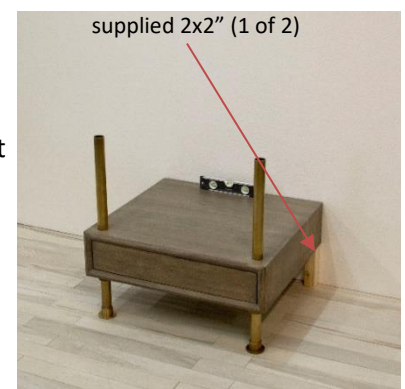
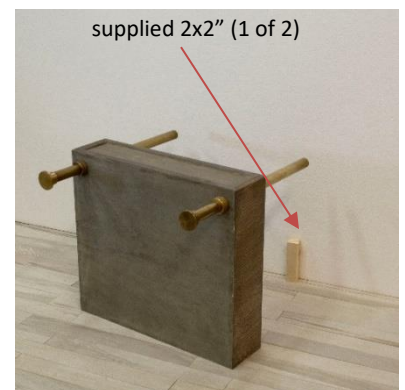
stand finish _____

wood finish _____

fittings: CLASSIC

Floor level (see back of page for instructions on mounting higher up)

- Using white gloves provided, carefully layout all brass or nickel fittings on a protected surface. Some assembly will be required using the included allen wrench.
- Start with the legs. The bottom collars and feet need to be installed to support the drawer 4-8" from the ground depending on model and preference. Carefully slide the legs through the drawer unit from the top and then slide the collars on from the bottom followed by the feet. Tighten the feet first and then set the collars so the distance from the bottom of the feet to the bottom of the drawer (top of collar) is the same as the 2x2" supports included.
- Set the 2 pcs of 2x2 wood supports against the back wall where the console is to be installed.
- Move the drawer and legs into position with the rear of the drawer being supported by the 2x2's. At this time the drawer should be close to level, but does not need to be exact. Remove the drawer from the cabinet box by depressing the tabs on the drawer glides (one pushes up, the other pushes down) and level the back edge of the drawer (left to right)
Once level, use the supplied screws (and anchors if needed) to attach the cabinet box to the wall. For the strongest installation, we recommend locating at least one stud along the back of the cabinet and predrilling a 1/8" hole in the cabinet back.
- Once the drawer is attached securely to the wall you can level front to back and left to right along the front edge by loosening the collars on the legs and moving up or down slightly.



Upper position (see front of page for instructions on mounting floor level)

1. Slide one collar onto each leg at the desired height for the bottom of the drawer.
2. Remove the drawer from the cabinet box by depressing the tabs on the drawer glides (one pushes up, the other pushes down)
3. With the help of someone else, carefully slide the empty drawer cabinet down onto the brass legs being careful not to twist it and scratch the legs.
4. Hold the unit level against the wall. Be sure to level left to right AND front to back. Once level, use the supplied screws (and anchors if needed) to attach the cabinet to the wall. For the strongest installation, we recommend locating at least one stud along the the back of the cabinet and predrilling a 1/8" hole in the cabinet back.
5. Once the drawer is attached to the wall, check for level again. Any fine tuning can be done at the front collars using the provided allen wrench.
6. Insert the drawer back into the cabinet.

1. Using white gloves provided, carefully layout all fittings on a protected surface. Assembly will be required using the included allen wrench.

NOTE: If you are installing the legs with other components, please see the individual instructions for each component

2. Assemble the legs as shown and measure the center to center distance on the two FRONT legs. Do NOT measure across the back of the stand as small variations in fitting angles can skew those slightly out of square. This front dimension will be used to locate the center of each wall fitting to insure a square install.
3. Test fit the stand in place assuring the upright legs are plumb and the horizontal arms are level. Mark the heights of the wall fittings. You will use the width taken from the front of the legs to locate each wall fitting along with this height measurement.
4. Set the stand aside carefully and remove the wall fittings with the supplied allen wrench. Proceed to attach only the wall fittings using the measurements taken in steps 2 and 3. If drilling into wood blocking or studs, please pre-drill the holes with a 7/64" bit. This will help with the installation of the softer brass screws. If going into drywall, use the supplied anchors and pre-drill using 3/16" bit.
5. Begin setting the stand in place by inserting one horizontal arm into one of the wall fittings. The second arm may not align exactly with the other wall fitting, but can be pulled or pushed and slid in with a small bit of force. Once fully inserted into the wall fittings, tighten the set screws to lock the tubing in place.
6. Install sink top and bracket according to the sink model. The collars on the top of the stand directly under the sink do not support any weight. Please be sure these are installed before placing the sink. Once the sink is installed, these collars can be adjusted up against the sink bottom.

