

36"w Elemental Tray Vanity

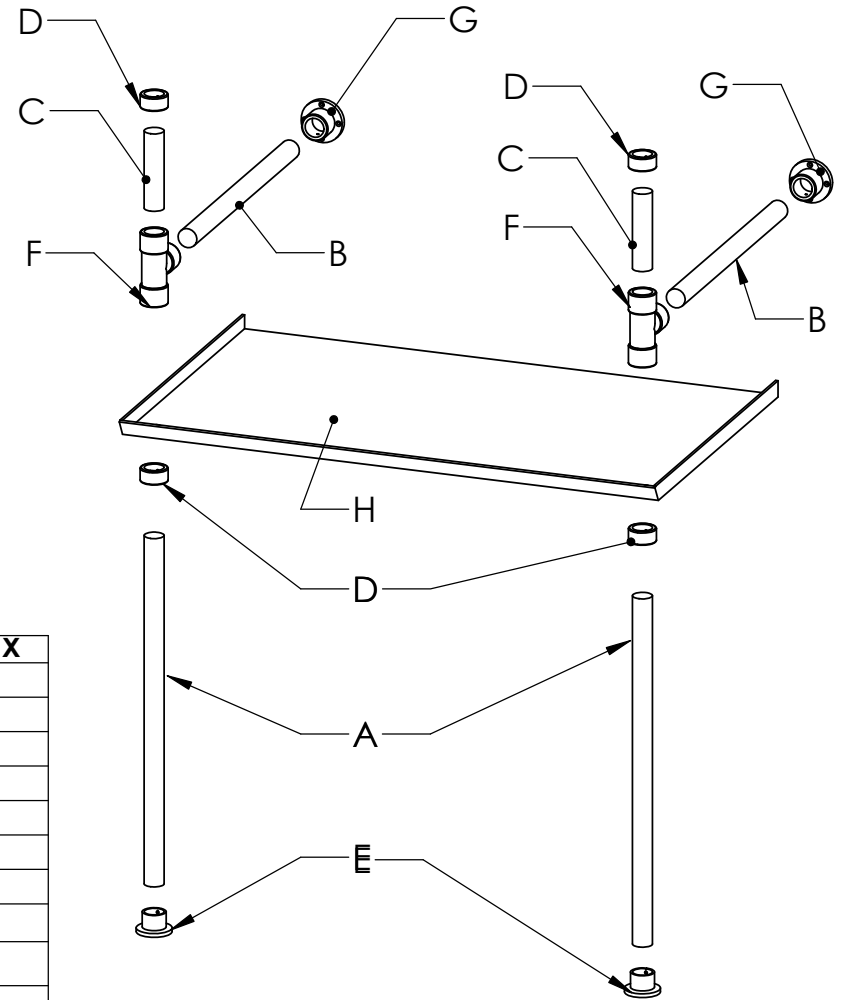
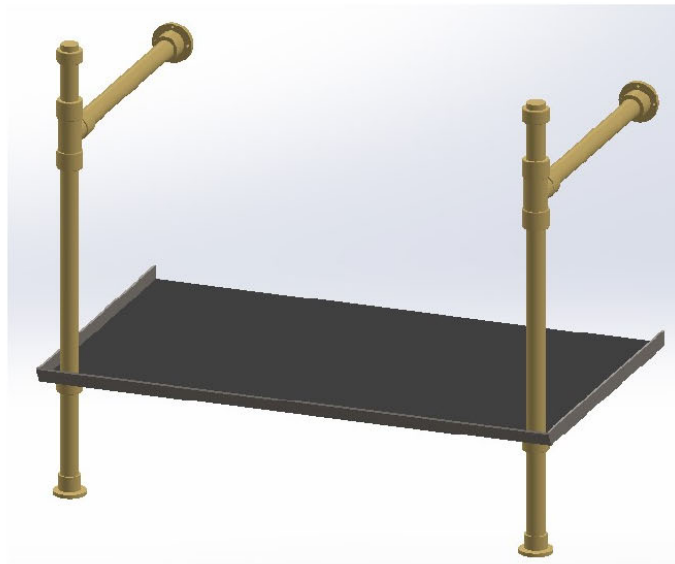
Due to the hand-carving of each piece, small variances in shape and size are to be expected.

SIZE **A** DWG. NO. PFS-TD-36-MT - Elemental Tray Vanity REV. **A**

WEIGHT: SHEET 1 OF 1

©2020 Stone Forest, Inc.

DO NOT SCALE DRAWING



part	item code	description	qty	X
(A)	PFS-TB-23	23" TUBE	X2	
(B)	PFS-TB-18	18" TUBE	X2	
(C)	PFS-TB-5	5" TUBE	X2	
(D)	PFS-CLLR	COLLAR/SET	X2	
(E)	PFS-FOOT	FOOT/SET	X1	
(F)	PFS-TEE	TEE	X2	
(G)	PFS-WALL	ESCUTCHEON	X2	
		2" #8 screws - BR, MB or PN - w/wall anchors [for part (G) above]	X10	
(H)	PFS-MTRY-36	36" METAL TRAY	X1	
		2" #8 screws-black- w/ wall anchors - to install metal tray [part (H) above]	X4	
		1"x1"x8" aluminum wall bracket with anchors and screws for attaching sink to wall - supplied when sink is ordered with stand	X2	
allen wrench (1), white gloves (1pr), extra set screws (6), 2x2x8" spacers for installation (2)				

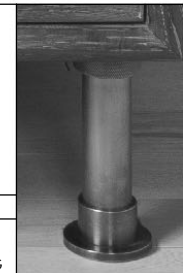


PFS-TD-36-xx-MT Elemental Classic Tray Vanity

DWG. NO. PFS-TD-36-MT - Elemental Tray Vanity 36

©2021 Stone Forest, Inc.

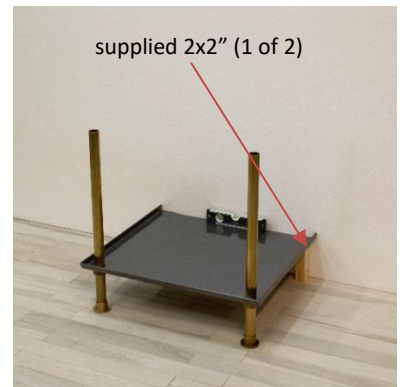
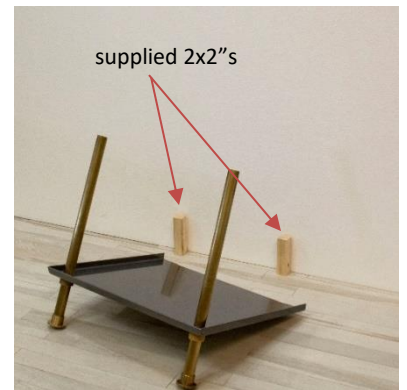
DO NOT SCALE DRAWING



fittings: CLASSIC

stand finish _____

- Using white gloves provided, carefully layout all brass or nickel fittings on a protected surface. Some assembly will be required using the included allen wrench.
- Start with the front legs. The bottom collars and feet should be installed to support the shelf 8" from the floor (bottom of feet to top of collars should match the wood 2x2 spacers sent. There will be time later to fine tune and level.
- Carefully slide the legs through the metal tray unit from the bottom. We've included 2pcs of 2x2" wood cut to 8" to help with the initial location of the tray on the wall.
- Move the tray and legs into position. Level the back edge of the metal tray left to right. Once level, use the supplied screws (and anchors if needed) to attach the tray to the wall. Once the back is anchored to the wall, you can level the tray along the front edge, and front to back, by adjusting the collars up or down.
- Set the return arms onto the front legs. Verify that the arms are square and level before marking and drilling holes for the brass escutcheon. If drilling into wood blocking or studs, please pre-drill the holes with a 7/64" bit. This will help with the installation of the softer brass screws. If going into drywall, use the supplied anchors and pre-drill using 3/16" bit.



1. Using white gloves provided, carefully layout all brass or nickel fittings on a protected surface. Some assembly will be required using the included allen wrench.

NOTE: If you are installing the legs with other components, please see the individual instructions for each component



2. Assemble the legs as shown.
On the underside of the sinks there are 2-4 recessed holes to accept the top 3/8" of each leg. Measure the center to center distance on the two front holes. This will be your measurement for locating the center of each wall connection.
Set the legs up so they are plumb, level and square against the wall and attach using the supplied screws and anchors (if needed).
If drilling into wood blocking or studs, please pre-drill the holes with a 7/64" bit. This will help with the installation of the softer brass screws. If going into drywall, use the supplied anchors and pre-drill using 3/16" bit.



3. Install sink top and bracket according to the sink model.
The collars directly under the sinks do not support any weight. These can be adjusted up against the sink bottom when you are done with the final assembly.

