

part	item code	description	qty	X
(A)	PFS-TB-23	23" TUBE	X2	
(B)	PFS-TB-18	18" TUBE	X2	
(C)	PFS-TB-5	5" TUBE	X2	
(D)	PFS-CLLR	COLLAR/SET	X3	
(E)	PFS-FOOT	FOOT/SET	X1	
(F)	PFS-KNOB	KNOB w/ SCREW	X1	
(G)	PFS-TEE	TEE	X2	
(H)	PFS-WALL	ESCUTCHEON	X2	
		2" #8 screws - BR, MB or PN- w/wall anchors [for part (h) above]	X10	
(I)	PFS-DRWR-246	24"W DRAWER X6"D	X1	
(J)	PFS-WDSL-24	24"W WOOD SHELF	X1	
(K)	PFS-BRKT-6	6" ANGLE BRACKET	x1	
		2" #8 screws-black w/ wall anchors - to attach drawer box and shelf to wall [parts (I&J) above]	x6	
		3/4" #8 screws- BR, MB or PN to attach bracket to shelf [for part (K) above]	x3	
		1"x1"x8" aluminum wall bracket with screws and anchors for attaching sink to wall - supplied when sink is ordered with stand	x2	
allen wrench (1), white gloves (1pr), 2"x2"x6" spacers for installation (2), extra set screws (6), installation template (1)				

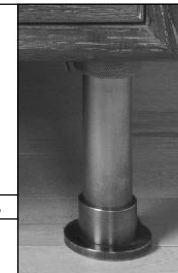


Elemental Classic Console Vanity with 6" h drawer and wood shelf PFS-TD-24-xx-WSD6

DWG. NO. PFS-TD-24-AB-WSD6 Classic Console

DO NOT SCALE DRAWING

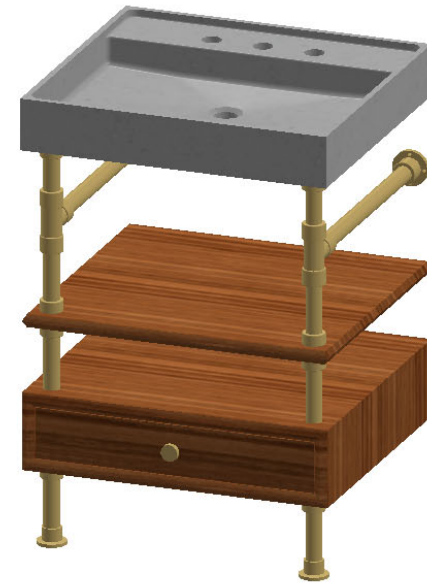
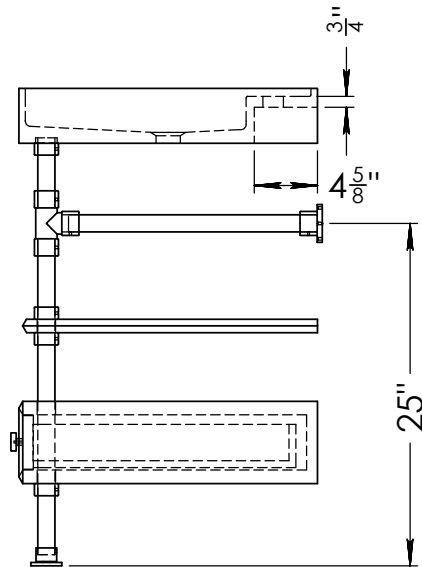
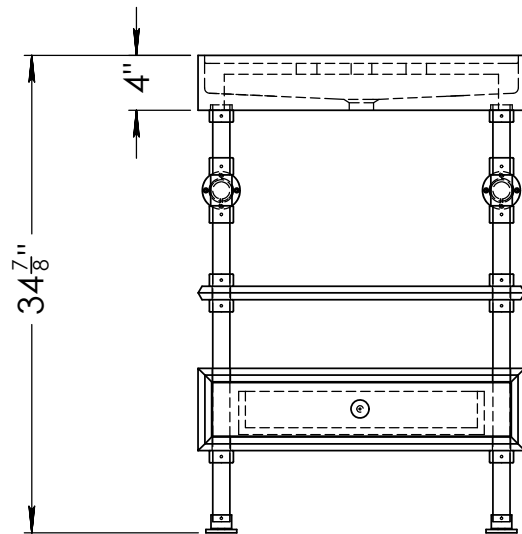
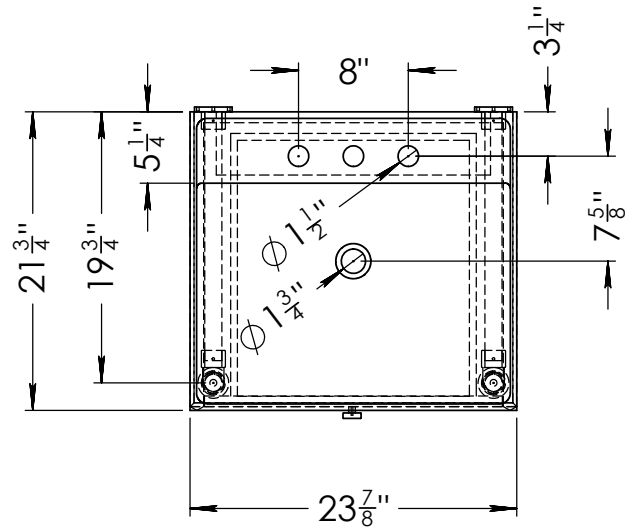
©2021 Stone Forest, Inc.



fittings: CLASSIC

stand finish _____

wood finish _____



Elemental Classic Console Vanity
with Ventus
PFS-TD-24-WSD6 with TD-THN-FCT-24

Due to the hand-carving of each piece, small variances in shape and size are to be expected.

SIZE **A** DWG. NO. PFS-TD-24-AB-WSD6 Elemental console with shelf and ventus w fct deck

REV. **A**

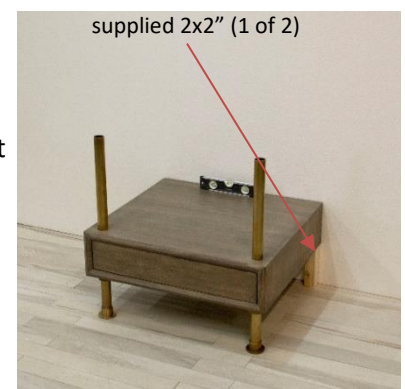
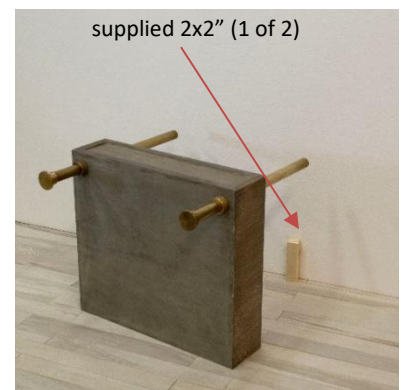
WEIGHT: SHEET 1 OF 1

©2022 Stone Forest, Inc.

DO NOT SCALE DRAWING

Floor level (see back of page for instructions on mounting higher up)

- Using white gloves provided, carefully layout all brass or nickel fittings on a protected surface. Some assembly will be required using the included allen wrench.
- Start with the legs. The bottom collars and feet need to be installed to support the drawer 4-8" from the ground depending on model and preference. Carefully slide the legs through the drawer unit from the top and then slide the collars on from the bottom followed by the feet. Tighten the feet first and then set the collars so the distance from the bottom of the feet to the bottom of the drawer (top of collar) is the same as the 2x2" supports included.
- Set the 2 pcs of 2x2 wood supports against the back wall where the console is to be installed.
- Move the drawer and legs into position with the rear of the drawer being supported by the 2x2's. At this time the drawer should be close to level, but does not need to be exact. Remove the drawer from the cabinet box by depressing the tabs on the drawer glides (one pushes up, the other pushes down) and level the back edge of the drawer (left to right)
Once level, use the supplied screws (and anchors if needed) to attach the cabinet box to the wall. For the strongest installation, we recommend locating at least one stud along the back of the cabinet and predrilling a 1/8" hole in the cabinet back.
- Once the drawer is attached securely to the wall you can level front to back and left to right along the front edge by loosening the collars on the legs and moving up or down slightly.



Upper position (see front of page for instructions on mounting floor level)

1. Slide one collar onto each leg at the desired height for the bottom of the drawer.
2. Remove the drawer from the cabinet box by depressing the tabs on the drawer glides (one pushes up, the other pushes down)
3. With the help of someone else, carefully slide the empty drawer cabinet down onto the brass legs being careful not to twist it and scratch the legs.
4. Hold the unit level against the wall. Be sure to level left to right AND front to back. Once level, use the supplied screws (and anchors if needed) to attach the cabinet to the wall. For the strongest installation, we recommend locating at least one stud along the the back of the cabinet and predrilling a 1/8" hole in the cabinet back.
5. Once the drawer is attached to the wall, check for level again. Any fine tuning can be done at the front collars using the provided allen wrench.
6. Insert the drawer back into the cabinet.

Floor level (see back of page for instructions on mounting higher up)

1. Using white gloves provided, carefully layout all brass or nickel fittings on a protected surface. Some assembly will be required using the included allen wrench.

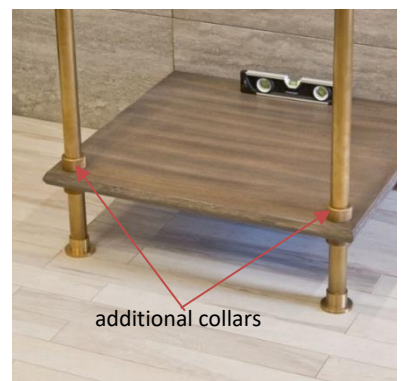
2. Start with the front legs. The bottom collars and feet need to be installed to support the shelf 4-8" from the ground depending on model and preference. The height from the bottom of the feet to the top of the collars should be the same as the supplied 2x2 wood supports.

3. Carefully slide the legs through the shelf from the bottom. We included 2 pcs of 2x2 wood to help with the initial location of the shelf on the wall. The height of these should match the height to the top of the collars.

4. Move the shelf and legs into position. Level the shelf along the back as well as front to back (the front feet can be twisted to help). Once the shelf is in position and leveled, mark the wall on the underside noting the position of the metal bracket. Move the stand from the wall, then remove the bracket from the shelf and mount the bracket to the wall where previously marked. Set the unit back into position onto the bracket and attach.

5. Once the shelf is attached to the wall, check for level again. Any fine tuning can be done at the front collars using the provided allen wrench.

6. Optional: slide additional collars onto legs to fit on top of the shelf. (these are not supplied with the stand and should be purchased separately)



Upper position (see front of page for instructions on mounting floor level)

1. Slide one collar onto each leg at the desired height for your shelf.
2. Carefully slide the shelf down onto the front legs being careful not to twist the shelf and scratch the legs.
3. With the help of someone else hold the shelf level against the wall. Be sure to level left to right AND front to back. Mark the wall on the underside noting the position of the metal bracket. Carefully remove the shelf, then remove the bracket from the shelf and mount the bracket to the wall where previously marked. Set the shelf back onto the legs and bracket and attach.
4. Once the shelf is attached to the wall, check for level again. Any fine tuning can be done at the front collars using the provided allen wrench.

1. Using white gloves provided, carefully layout all brass or nickel fittings on a protected surface. Some assembly will be required using the included allen wrench.

NOTE: If you are installing the legs with other components, please see the individual instructions for each component



2. Assemble the legs as shown.
On the underside of the sinks there are 2-4 recessed holes to accept the top 3/8" of each leg. Measure the center to center distance on the two front holes. This will be your measurement for locating the center of each wall connection.
Set the legs up so they are plumb, level and square against the wall and attach using the supplied screws and anchors (if needed).
If drilling into wood blocking or studs, please pre-drill the holes with a 7/64" bit. This will help with the installation of the softer brass screws. If going into drywall, use the supplied anchors and pre-drill using 3/16" bit.



3. Install sink top and bracket according to the sink model.
The collars directly under the sinks do not support any weight. These can be adjusted up against the sink bottom when you are done with the final assembly.

