

24" wide Elemental Vanity with Split Drawers
PFS-STG-24-U610WS

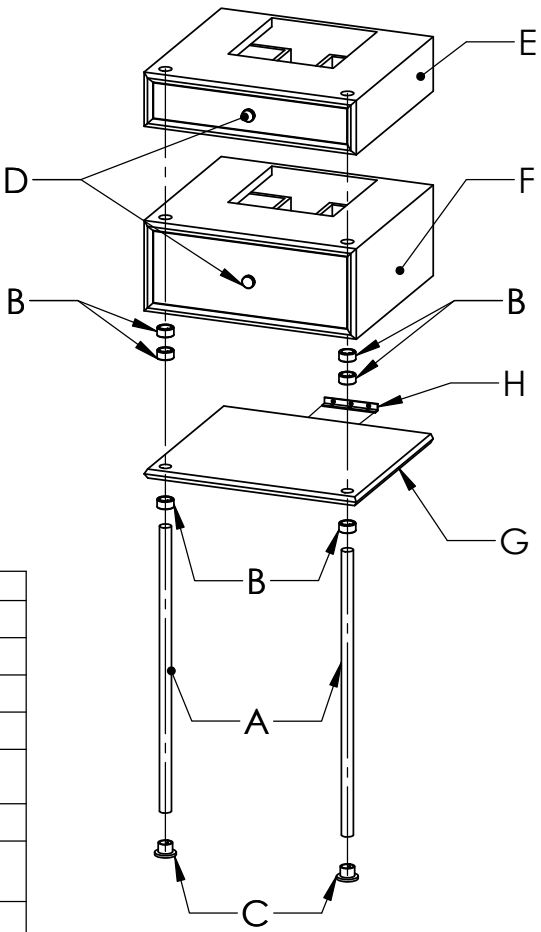
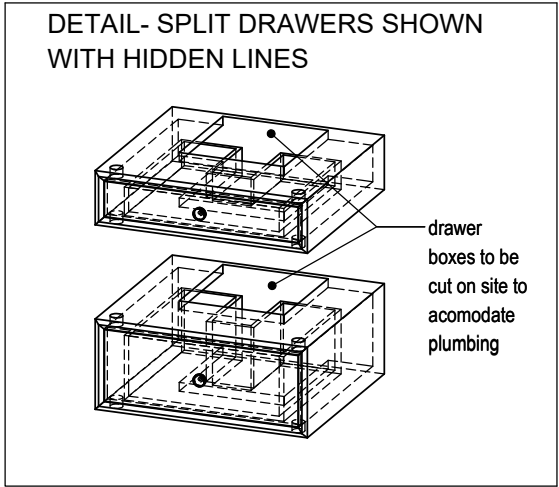
Due to the hand-carving of each piece, small variances in shape and size are to be expected.

SIZE **A** DWG. NO. PFS-STG-24-U610WS - Elemental Vanity wSplit Drawers REV. **A**

WEIGHT: SHEET 1 OF 1

©2022 Stone Forest, Inc.

DO NOT SCALE DRAWING



| part | item code | description | qty | X |
|---|---|-----------------------|-----|---|
| (A) | PFS-TB-31 | 31" TUBE | X2 | |
| (B) | PFS-CLLR | COLLAR/ SET | X3 | |
| (C) | PFS-FOOT | FOOT/ SET | X1 | |
| (D) | PFS-KNOB | KNOB w/ SCREW | X2 | |
| (E) | PFS-UDRWR-246 | 24" SPLIT DRAWER 6"D | X1 | |
| (F) | PFS-UDRWR-2410 | 24" SPLIT DRAWER 10"D | X1 | |
| | 2" #8 screws-black w/ wall anchors - to attach drawer boxes and angle bracket to wall [for (E) & (F) above] | | x6 | |
| (G) | PFS-WDSLFL-24 | 24" WOOD SHELF | X1 | |
| (H) | PFS-BRKT-6 | 6" ANGLE BRACKET | X1 | |
| | 2" #8 screws black- w/ wall anchors - to attach 6" bracket to wall [part (H) above] | | X3 | |
| | 3/4" #8 screws- BR, MB or PN to attach bracket to shelf [for part (G) above] | | X3 | |
| allen wrench (1), white gloves (1pr), 2"x2"x6" spacers for installation (2), extra set screws (6) | | | | |



PFS-STG-24-xx-U610WS
24" Classic Vanity with Split Drawers

DO NOT SCALE DRAWING

DWG. NO. PFS-STG-24-U610WS - Elemental Vanity wSplit Drawers 24

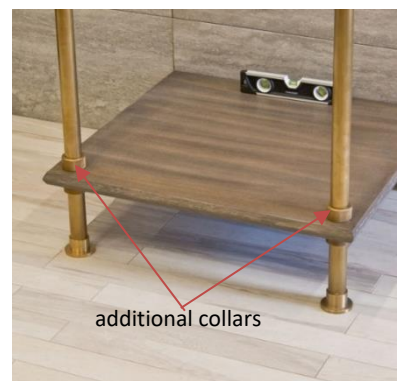
©2021 Stone Forest, Inc.



fittings: CLASSIC
 stand finish _____
 wood finish _____

Floor level (see back of page for instructions on mounting higher up)

1. Using white gloves provided, carefully layout all brass or nickel fittings on a protected surface. Some assembly will be required using the included allen wrench.
2. Start with the front legs. The bottom collars and feet need to be installed to support the shelf 4-8" from the ground depending on model and preference. The height from the bottom of the feet to the top of the collars should be the same as the supplied 2x2 wood supports.
3. Carefully slide the legs through the shelf from the bottom. We included 2 pcs of 2x2 wood to help with the initial location of the shelf on the wall. The height of these should match the height to the top of the collars.
4. Move the shelf and legs into position. Level the shelf along the back as well as front to back (the front feet can be twisted to help). Once the shelf is in position and leveled, mark the wall on the underside noting the position of the metal bracket. Move the stand from the wall, then remove the bracket from the shelf and mount the bracket to the wall where previously marked. Set the unit back into position onto the bracket and attach.
5. Once the shelf is attached to the wall, check for level again. Any fine tuning can be done at the front collars using the provided allen wrench.
6. Optional: slide additional collars onto legs to fit on top of the shelf. (these are not supplied with the stand and should be purchased separately)

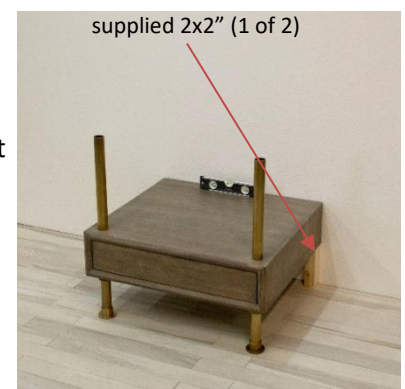
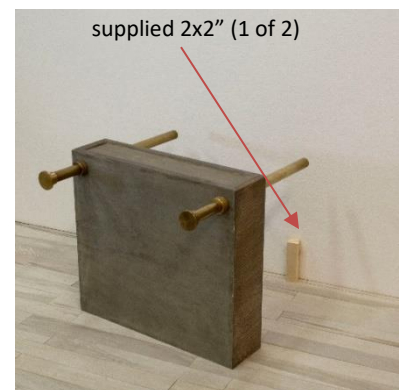


Upper position (see front of page for instructions on mounting floor level)

1. Slide one collar onto each leg at the desired height for your shelf.
2. Carefully slide the shelf down onto the front legs being careful not to twist the shelf and scratch the legs.
3. With the help of someone else hold the shelf level against the wall. Be sure to level left to right AND front to back. Mark the wall on the underside noting the position of the metal bracket. Carefully remove the shelf, then remove the bracket from the shelf and mount the bracket to the wall where previously marked. Set the shelf back onto the legs and bracket and attach.
4. Once the shelf is attached to the wall, check for level again. Any fine tuning can be done at the front collars using the provided allen wrench.

Floor level (see back of page for instructions on mounting higher up)

- Using white gloves provided, carefully layout all brass or nickel fittings on a protected surface. Some assembly will be required using the included allen wrench.
- Start with the legs. The bottom collars and feet need to be installed to support the drawer 4-8" from the ground depending on model and preference. Carefully slide the legs through the drawer unit from the top and then slide the collars on from the bottom followed by the feet. Tighten the feet first and then set the collars so the distance from the bottom of the feet to the bottom of the drawer (top of collar) is the same as the 2x2" supports included.
- Set the 2 pcs of 2x2 wood supports against the back wall where the console is to be installed.
- Move the drawer and legs into position with the rear of the drawer being supported by the 2x2's. At this time the drawer should be close to level, but does not need to be exact. Remove the drawer from the cabinet box by depressing the tabs on the drawer glides (one pushes up, the other pushes down) and level the back edge of the drawer (left to right)
Once level, use the supplied screws (and anchors if needed) to attach the cabinet box to the wall. For the strongest installation, we recommend locating at least one stud along the back of the cabinet and predrilling a 1/8" hole in the cabinet back.
- Once the drawer is attached securely to the wall you can level front to back and left to right along the front edge by loosening the collars on the legs and moving up or down slightly.



Upper position (see front of page for instructions on mounting floor level)

1. Slide one collar onto each leg at the desired height for the bottom of the drawer.
2. Remove the drawer from the cabinet box by depressing the tabs on the drawer glides (one pushes up, the other pushes down)
3. With the help of someone else, carefully slide the empty drawer cabinet down onto the brass legs being careful not to twist it and scratch the legs.
4. Hold the unit level against the wall. Be sure to level left to right AND front to back. Once level, use the supplied screws (and anchors if needed) to attach the cabinet to the wall. For the strongest installation, we recommend locating at least one stud along the the back of the cabinet and predrilling a 1/8" hole in the cabinet back.
5. Once the drawer is attached to the wall, check for level again. Any fine tuning can be done at the front collars using the provided allen wrench.
6. Insert the drawer back into the cabinet.