

Custom Double Ventus Vanity
with Triple Elemental Drawer Stacks

Due to the hand-carving of each piece, small variances in shape and size are to be expected.

SIZE DWG. NO. **A** Double Ventus 72inch on Triple Elemental Drawer Stacks

REV. **A**

WEIGHT: SHEET 1 OF 1

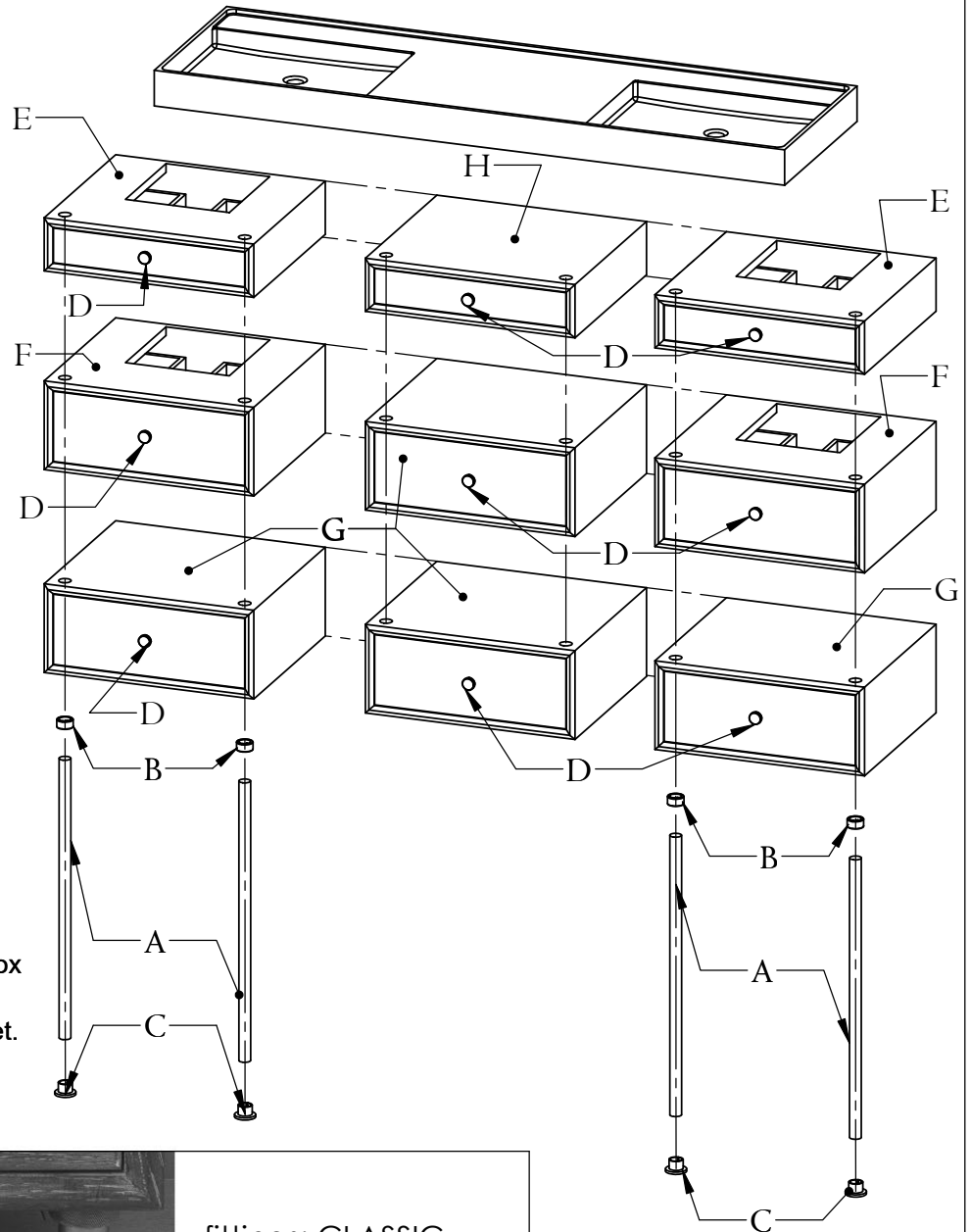
©2021 Stone Forest, Inc.

DO NOT SCALE DRAWING



part	item code	description	qty	X
(A)	PFS-TB-31	31.5" TUBE	X4	
(B)	PFS-CLLR	COLLAR/SET	X2	
(C)	PFS-FOOT	FOOT/SET	X2	
(D)	PFS-KNOB	KNOB w/ screw	X9	
(E)	PFS-UDRWR-246	24"W SPLIT DRAWER X6"H	X2	
(F)	PFS-UDRWR-2410	24"W SPLIT DRAWER X10"H	X2	
(G)	PFS-DRWR-2410	24"W DRAWER X10"H	X4	
(H)	PFS-DRWR-246	24"W DRAWER X6"H	X1	
	2" #8 screws-black w/ wall anchors - to attach drawer boxes to wall [parts (E), (F), (G) & (H)]		X27	
allen wrench (1), white gloves (1pr), 2"x2"x6" spacers for installation (6), extra set screws (6)				

Installation Notes: Drawers come assembled. Remove drawers. Block up drawerbox assembly with top at 32" from finished floor. Attach entire assembly to the wall with provided screws. Next slide legs through the drawers and attach the collars and feet. Legs should protrude approximately 3/8" above top of drawers to accept the sink. Place sink on top. Use a stone safe caulk to seal unit against the wall. Replace drawers in the drawer boxes.



Double 72" w Ventus
with Triple Drawer Stacks

DWG. NO. Dbl Ventus 72 on 3 Classic Drawer Stacks - exp

DO NOT SCALE DRAWING

©2022 Stone Forest, Inc.



fittings: CLASSIC

stand _____

wood _____