

part	item code	description	qty	X
(A)	Double Terra	62"x22"x5" Custom Double Sink		
(B)	PFS-TB-31	31.5" TUBE	X4	
(C)	PFS-CLLR	COLLAR/SET	X2	
(D)	PFS-FOOT	FOOT/SET	X2	
(E)	PFS-KNOB	KNOB w/ screw	X6	
(F)	PFS-UDRWR-246	24"W SPLIT DRAWER X6"H	X2	
(G)	PFS-UDRWR-2410	24"W SPLIT DRAWER X10"H	X2	
(H)	PFS-DRWR-2410	24"W DRAWER X10"H	X2	
		2" #8 screws-black w/ wall anchors - to attach drawer boxes to wall [parts (E), (F), & (G)]	X12	

allen wrench (1), white gloves (1pr), 2"x2"x6" spacers for installation (4), extra set screws (6)



Custom 62" Double Terra  
With (2) Triple Drawer Stacks

finish \_\_\_\_\_  
stone \_\_\_\_\_  
wood \_\_\_\_\_

Double Terra 62inch on Elemental Drawer Stacks - Exploded

DO NOT SCALE DRAWING

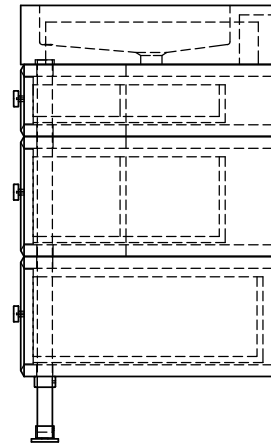
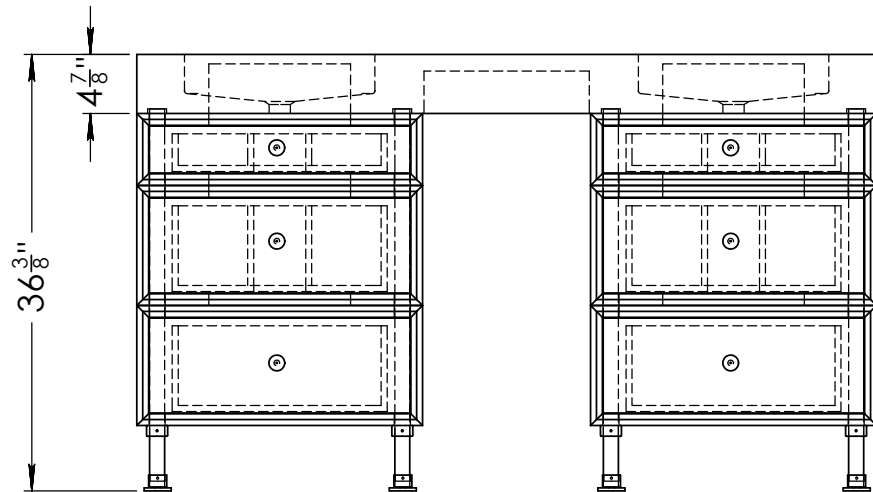
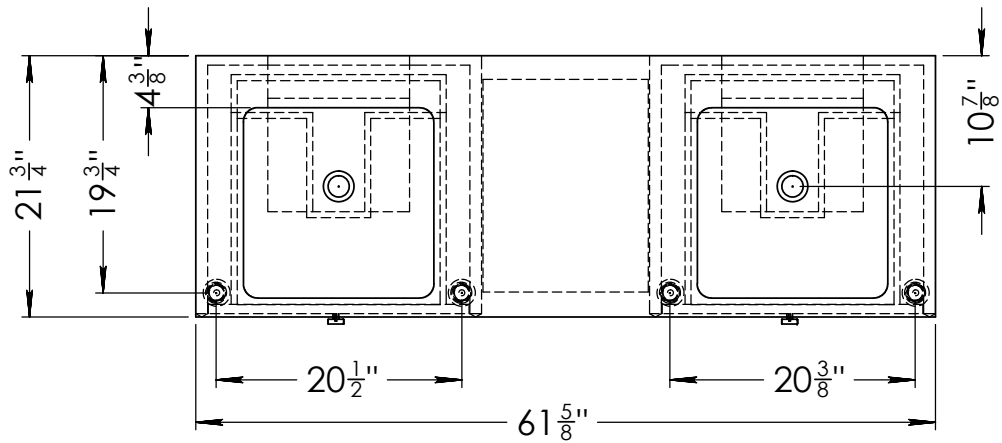
SHEET 1 OF 1

©2022 Stone Forest, Inc.

Due to the hand-carving of each piece, small variances in shape and size are to be expected.



CLASSIC



Custom Double Terra Bath Sink  
with Two Drawer Stacks

Due to the hand-carving of each piece, small variances in shape and size are to be expected.

SIZE **A** DWG. NO. Cust Dbl TD-TRR-62 w Dbl Drawer Stacks

REV. **A**

WEIGHT: SHEET 1 OF 1

©2022 Stone Forest, Inc.

DO NOT SCALE DRAWING

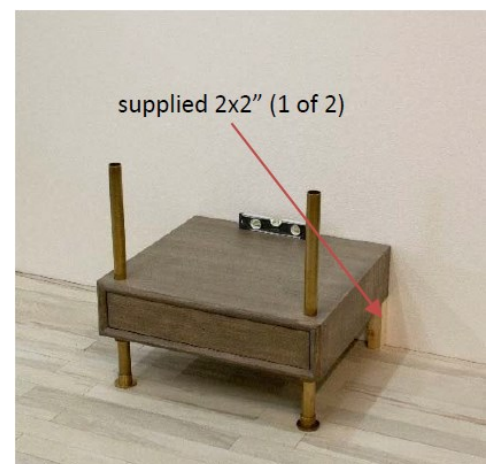
## Custom Elemental Install

DOUBLE TERRA BATH SINK PAIRED WITH CUSTOM ELEMENTAL CLASSIC VANITY

1. Using white gloves provided, carefully lay out all brass fittings on a protected surface. Use the exploded view list of items to verify the parts received.
2. Remove drawers from their drawer boxes. This is done by extending the drawer all the way out and then using the black plastic lever on the drawer glides to release them the rest of the way out. One lever gets pushed up, the other gets pushed down.
3. To allow for installation of plumbing, the back of the top and/or middle drawer box will need to be drilled or cut out to clear rough-out for supplies and traps.
4. The back of the drawer boxes can now be pre-drilled (1/8" hole). Place drillings where it will be screwed to the wall. For maximum stability, we recommend locating at least one stud to attach cabinet to the wall.
5. Assemble the legs. Use the 31" tube, collar and foot. Attach the bottom collar and foot using the supplied Allen wrench to tighten the set screw on each tube. The collar should be set so the tubing extends no more than 3/8" above the top of the drawer stack.
6. From the bottom of the drawer stack, carefully slide the leg assemblies through holes in the drawer boxes. The drawers are preassembled 10" drawer on bottom, 10" split drawer in center and 6" split drawer on top.
7. Move the drawer/ leg assembly into position. Using the 2x2 blocks, stand the set of drawers up in front of the wall. Level the back edge of the drawer. Once level, use the supplied 2" screws (and anchors if needed) to attach the drawer boxes to the wall. At this point you can twist the front feet to help level.
8. Replace drawers.
9. Set the sink top in place.



5) Leg assembly using 31" tube, foot and collar.



6) Once the three drawers are stacked set in place