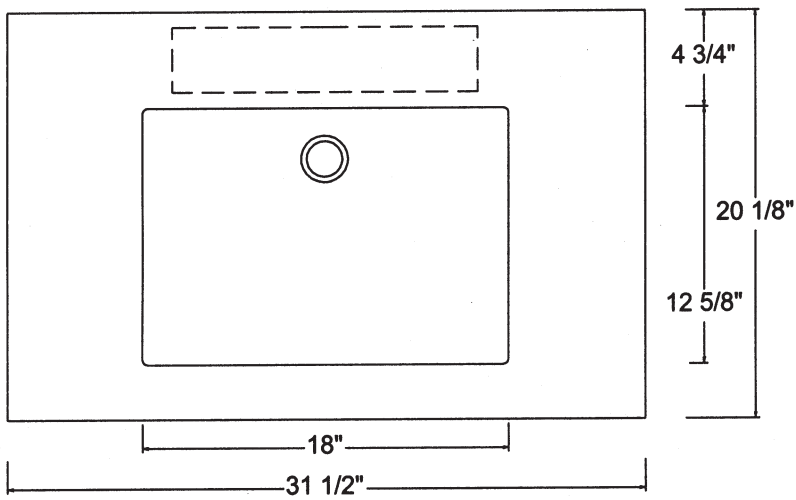




IVG-31.5 SLAB VANITY

© 2007 STONE FOREST, INC.

TOP VIEW



Available in:

Carrara marble (CA)

Honed basalt (HB)

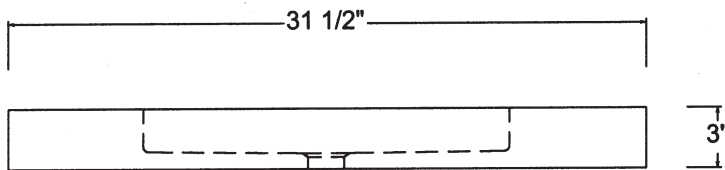
Fits SS-05-31.5 stainless stand. Sold separately
Approx thickness at drain is .75"

Required drain use 9054D Grid Drain. Drains
are 1.25" NPT. This can be supplied by Stone
Forest at your request in select finishes

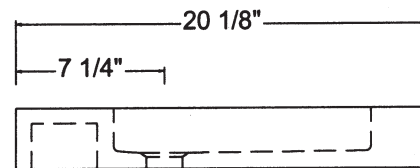
Please specify quantity and location of any faucet
holes when ordering. See price book for
drilling charges.

Do not use pop-up drain.

Approx 160 lbs



FRONT VIEW

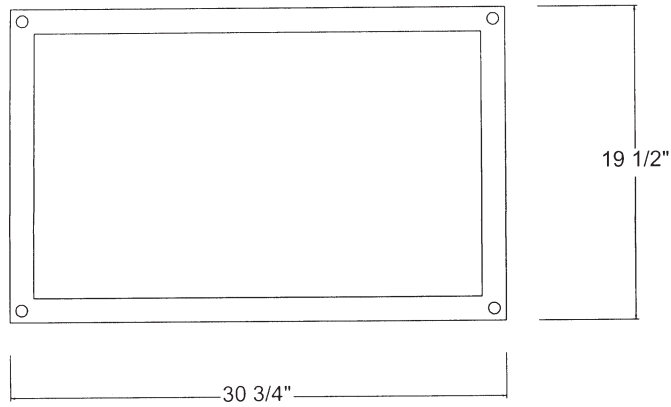


SIDE VIEW

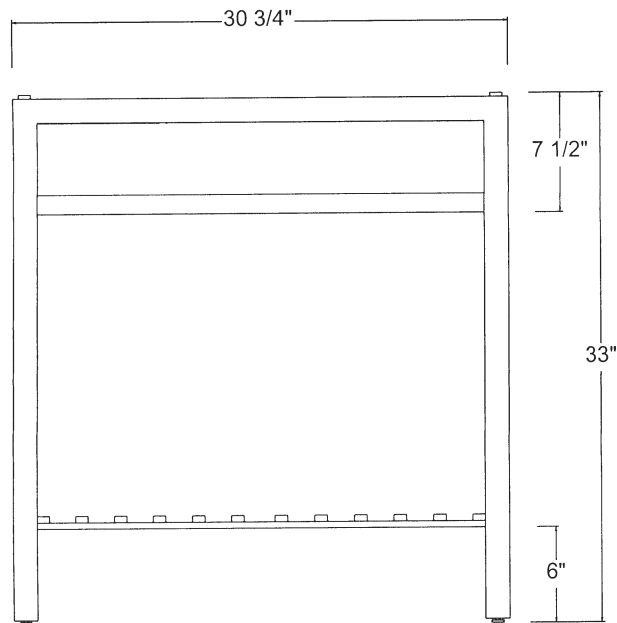
STONE
FOREST

SS-05-31.5
STAINLESS STAND

© 2007 STONE FOREST, INC.

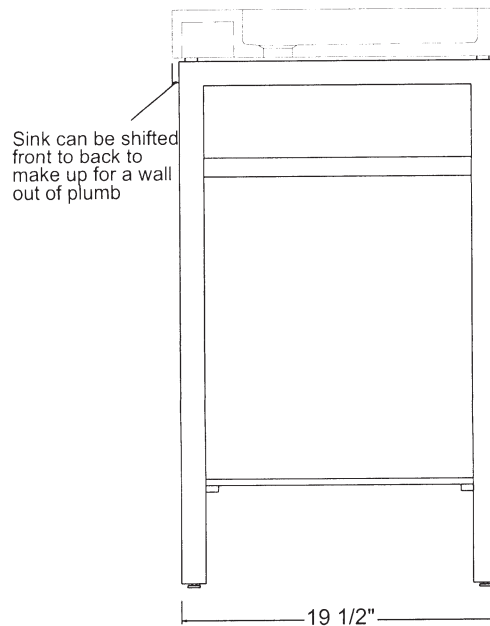


TOP VIEW



FRONT VIEW

Brushed stainless steel
Free standing, includes leveling feet
Fits IVG-31.5 slab vanity
Approx 20 lbs



SIDE VIEW