



# ECO-Series®

## Installation Instructions for Fountain Basins



Eco-Series Basins have molded columns that transfer the weight of the statuary down to the ground below it. These columns can be filled with concrete creating pillars under heavy statuary.

Thank you for purchasing an EasyPro Eco-Series Fountain Basin. Following are a few simple instructions to help you during the installation process.

### **STEP ONE - LOCATION**

Select your location and mark the outline of the basin, avoid low spots. You will want to position the basin an inch or two higher than the surrounding ground to prevent run off from entering the basin.

### **STEP TWO - EXCAVATION AND PLACEMENT**

Always check for buried utilities before digging. Excavate approximately 8 - 10 inches. Put a thin layer of sand down as a base, especially if the soil is rough. Place basin in excavated hole, making sure it is level in all directions. Backfill all sides with sand or fine soil and fill in all voids.



The center supports of these basins **should be filled with concrete** to provide additional support and help transfer the weight of the stone fountain through the basin to the ground underneath. A basin that is installed on well compacted soil, backfilled tightly around the edges and concrete filled supports will perform the best over the life of the water feature. **For fountains over 2000 lbs, we recommend pouring a concrete slab to support the reservoir kit and prevent settling**

## STEP THREE - SETTING UP WATER FEATURE



1. Carefully set feature in center of grating\*. Align hole in feature with hole in grate. It may be necessary to cut a larger hole in the grating to accommodate bigger tubing.
2. Feed tubing through hole in feature, through grating and towards one of the pump bays. Leave extra tubing for easy pump maintenance.
3. Connect tubing to pump and place in bay. We suggest using 250 - 700 GPH EasyPro mag drive pumps because they are durable and energy efficient.

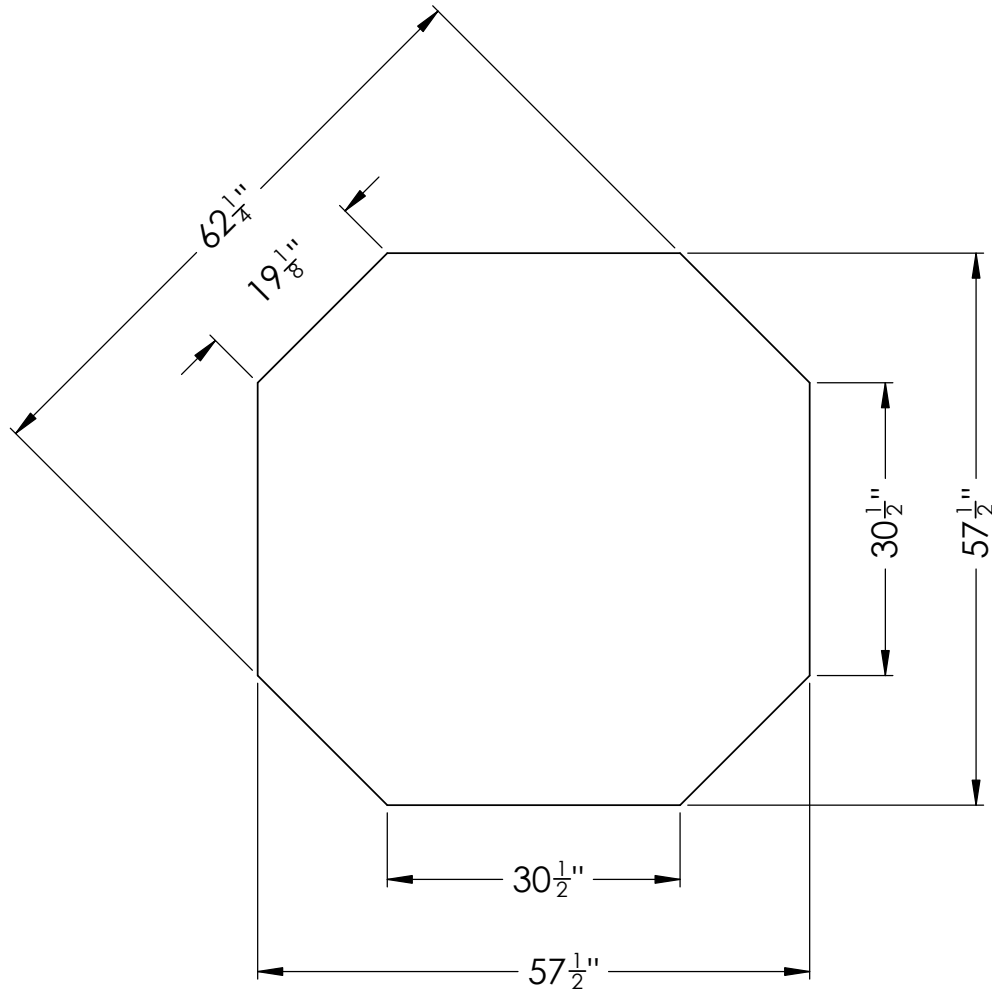


4. Place lid over pump compartment. Spread decorative gravel or river rock on grating, just enough to cover grating is all that is required. You can easily remove the pump anytime by clearing the gravel or river rock off lid. Fill basin with water and plug pump into a GFI protected outlet with weather cover.
5. Aquatic plants can be set in unused bays, remove lid and set pot in bay. Spread gravel or river rock around the pot to conceal it. Smaller aquatic grasses, reeds and marginals can be allowed to grow up through grating. Your fountain basin will give you a lifetime of pleasure and relaxation.



\*Grating style may vary from above photos with some models.





58" Fountain Kit  
DKIT-FB58E

Due to the hand-carving of each piece, small variances in shape and size are to be expected.

SIZE <b>A</b>	DWG. NO. Dkit-FB58E	REV. <b>A</b>
------------------	------------------------	------------------

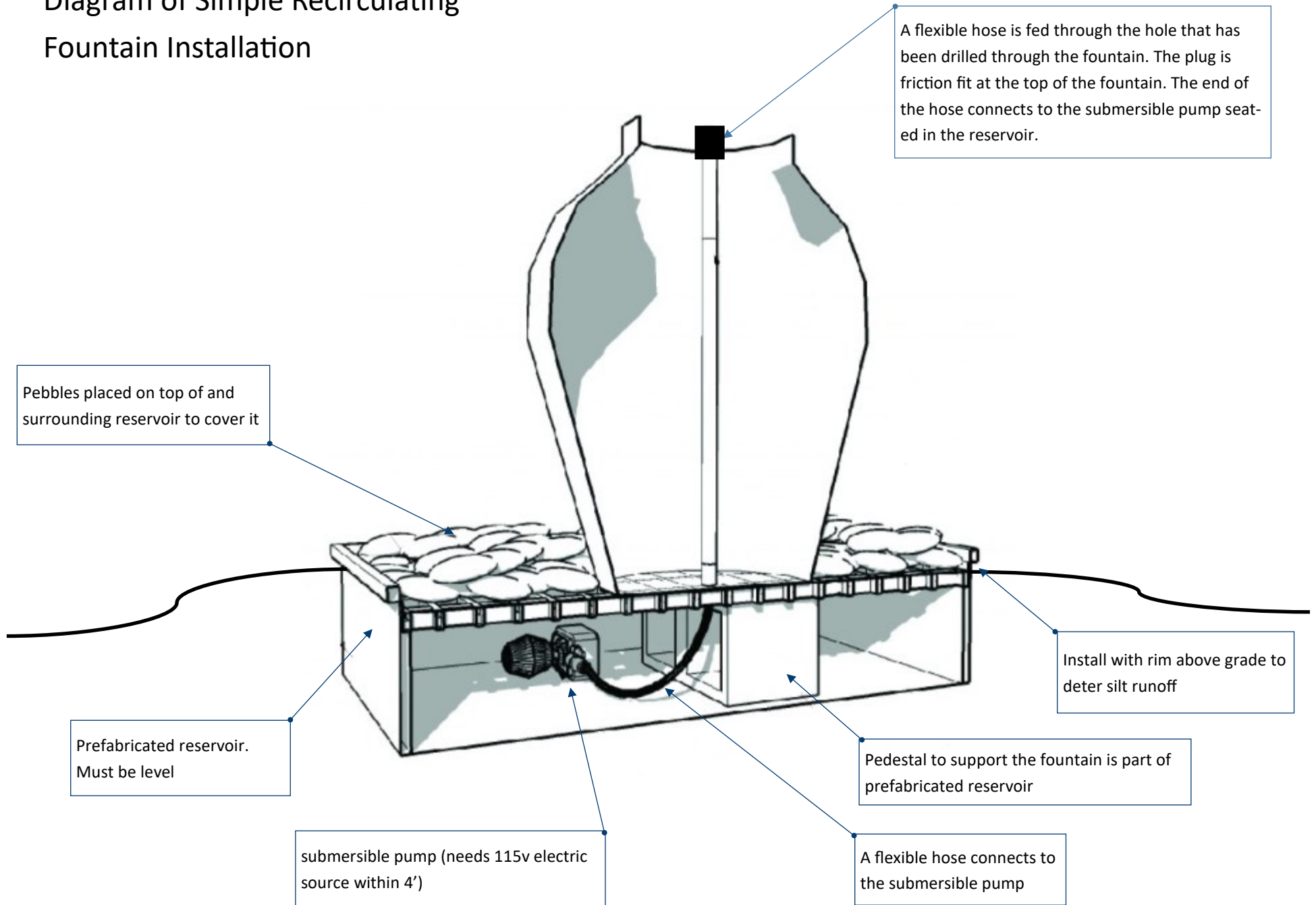
WEIGHT: SHEET 1 OF 1

©2022 Stone Forest, Inc.

DO NOT SCALE DRAWING



# Diagram of Simple Recirculating Fountain Installation



# STONE FOREST®



Supplied hose

Instructions to connect the hose to the submersible pump for your fountain:

- Make sure that your fountain is in place and ready.
- Take the provided hose and feed it down through the center drilled hole in the stone fountain. The hole is approximately 1.25" in diameter, which will leave space around the hose. There is a plug on one end which will friction fit at the top of the fountain drilling. Depending on the size of your pump, you will have been supplied either a 1/2" or 5/8" diameter hose.
- We wrap one end of the hose with a strip of pond liner and electrical tape to ensure a tight fit at the top of the drilled hole. If the plug is too small to stay in place, you may need to remove the electrical tape and add some pond liner then retape to increase the diameter.
- Finally, connect the end of the hose in the reservoir to the submersible pump sitting on the floor of the reservoir.



steps to creating the plug end of the hose

[stoneforest.com](http://stoneforest.com)