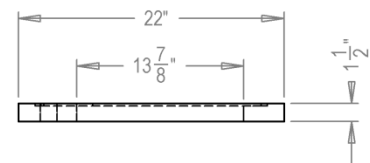
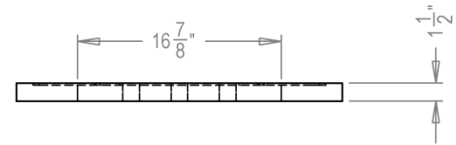
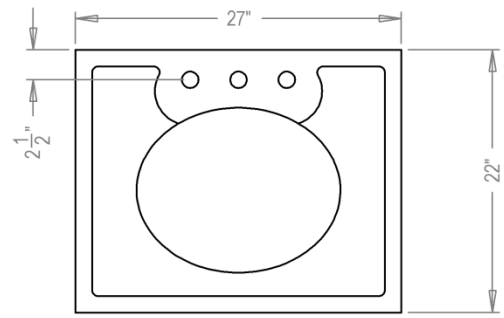


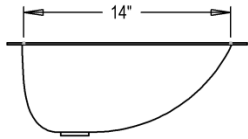
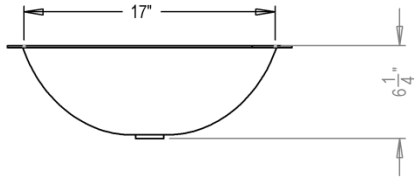
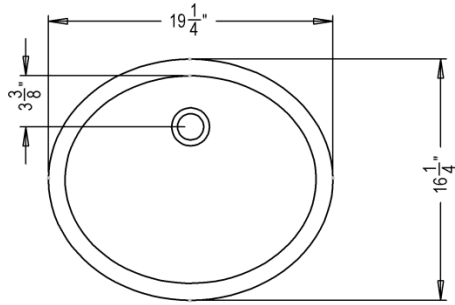


CT-27 VINTAGE COUNTERTOP

© 2016 STONE FOREST, INC.

- Available in:
Carrara Marble (CA)
- Designed to fit 14x17
standard oval undermount
sinks.
- Includes pre-set anchors,
clips and bolts.
- Made to fit brass
console legs #21410-00.
- Do not use plumbers putty.
- Approx 75 lbs





CP-07
UNDERMOUNT
OVAL SINK

© 2016 STONE FOREST, INC.

- Heavy 16 gauge stainless
- Hand Hammered finish
- Available in:
Polished Stainless (PSS)
Brushed Stainless (BSS)
- Approx 15 lbs
- Approx thickness at drain is 0.25".
Required drain use 9054D Grid
Drain or 9058D Lift & Turn. This
can be supplied by Stone Forest
at your request in select finishes.

STONE FOREST

STONE
FOREST



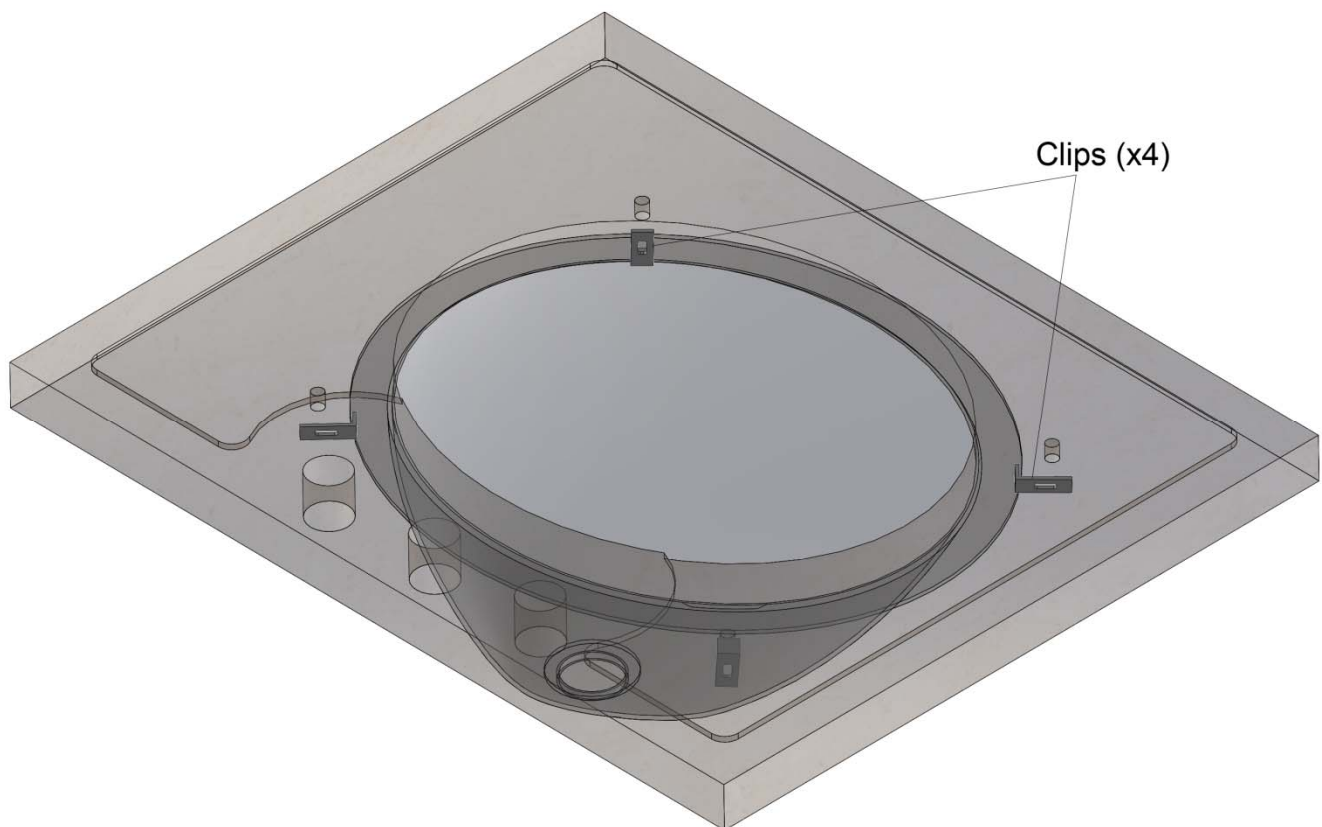
Oval Stainless Sink Undermount Installation

Please read these instructions carefully before you begin. Also, review the recommended tools section and lay out all components to assure you have the correct tools, items and quantities needed for proper installation.

Caution! Stone sinks and countertops are very heavy. Please use care and caution when handling.

Important: Do not use an oil-based sealer, silicone, or plumbers putty with stone. These products will stain if applied near the surface. Use a latex-based caulk recommended for use with tile and stone.

All installation procedures must comply with all applicable local plumbing and building codes.



Required tools:

Screwdriver

Cloth

Adhesive Caulk/Sealant such as
DAP Qwikseal® or Henkels Polyseam Seal®

Supplied parts:

Oval Stainless Sink

Undermount clips (x4)

Washer (x4)

Chrome drain collar

Instructions:

1. Verify cabinet and stand clearance.
2. Clean the underside of the countertop and the rim of the sink.
3. Loosely install the clips using appropriate screws and anchors provided by your countertop fabricator.
4. Apply DAP Qwikseal® or Henkels Polyseam Seal® on the rim of the sink.
5. Position the sink under the opening. Hold the sink in place and rotate each clip over the rim. Evenly tighten the clips to secure.
6. Immediately wipe away any excess sealant.
7. Complete the faucet and drain installations and allow to dry.

Care & Maintenance:

-Wipe the sink down with a soft cloth. A stainless steel cleaner can be used to remove any tarnish or spotting.

LIMITED WARRANTY: Stone Forest warrants its products to be free of defects in material and workmanship for 5 years from date of purchase. This does not include irregularities inherent in natural stone nor does it warrant our copper and bronze finishes. These finishes will patina over time. This Warranty doesn't apply if this product (1) was not purchased from Stone Forest or its authorized dealer, (2) has been altered in any way, or (3) has not been used in accordance with any instructions for use/installation provided by Stone Forest, or (4) Is a custom product produced to customer's specifications. Please refer to Stone Forest's catalogues and website for specific product information and recommendations: (www.Stoneforest.com) Customer shall inspect the product(s) within 5 days of delivery, and must give specific written notice of any problems or defects claimed as of time of delivery, and if customer fails to do so, is deemed an irrevocable waiver of any right to make a claim with Stone Forest with respect to condition as of time of delivery.

This warranty does not cover damage or other problems caused to the goods during shipment, or by improper installation techniques, modifications, physical force or other abuse or any other alteration or repair by others that, in Stone Forest's judgment, materially or adversely affects the product. It also does not cover any related labor charges, removal and reinstallation expense, freight/postage, or resulting injury. The use of plumber's putty will void this warranty.

Stone Forest shall only be responsible for repairing or replacing any part or parts that do not comply with this warranty, as determined by Stone Forest. Stone Forest's total liability under this warranty will not exceed the purchase price of the goods and excludes consequential damages arising out of, related, or incidental to the use of the product, as well as property damage, and personal injury damage, even if Stone forest has been advised of the possibility of such potential loss or damage, unless state law otherwise precludes this exclusion. Stone Forest, in its sole discretion, may choose, in lieu of replacement, to credit purchaser's account for the value of the defective product.