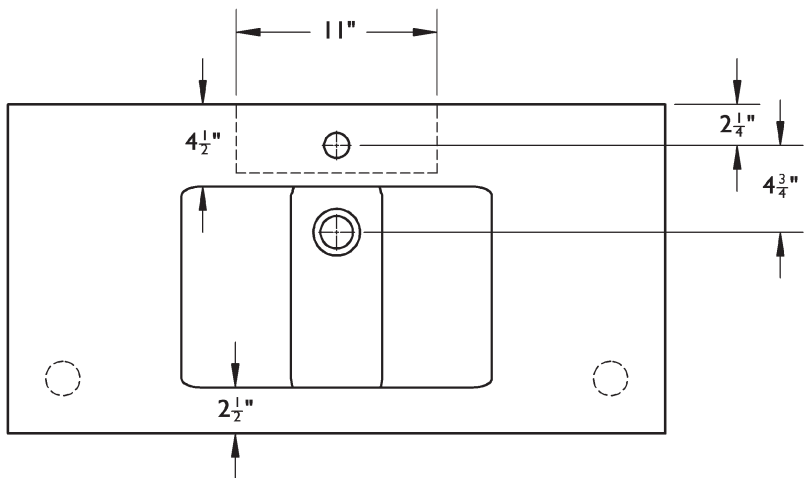




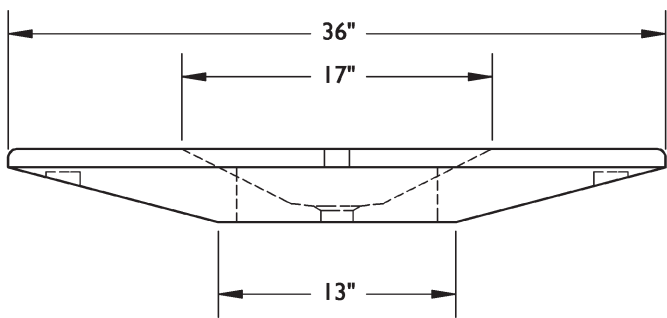
C98-36  
CORTINA CONSOLE

©2012 STONE FOREST, INC.

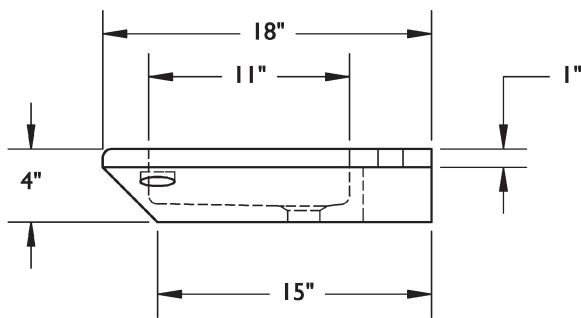


TOP VIEW

- Carved from a single block of stone.
- Available in:  
Carrara Marble (CA), All Polished.
- Approx thickness at drain is 1". Required drain use 9054D Grid Drain. Drains are 1.25" NPT. This can be supplied by Stone Forest at your request in select finishes.
- Do not use pop-up drain.
- Please specify quantity and location of any faucet holes when ordering. See price page P12 for drilling charges.
- Approx 150lbs.

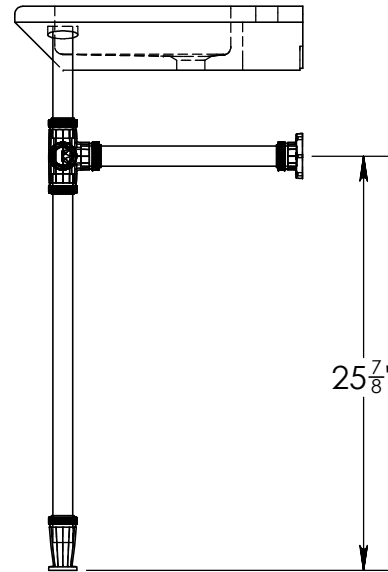
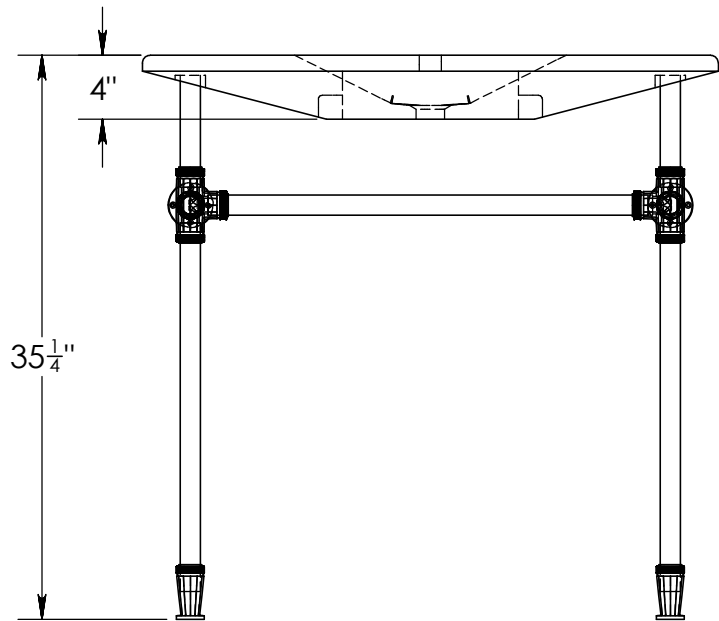
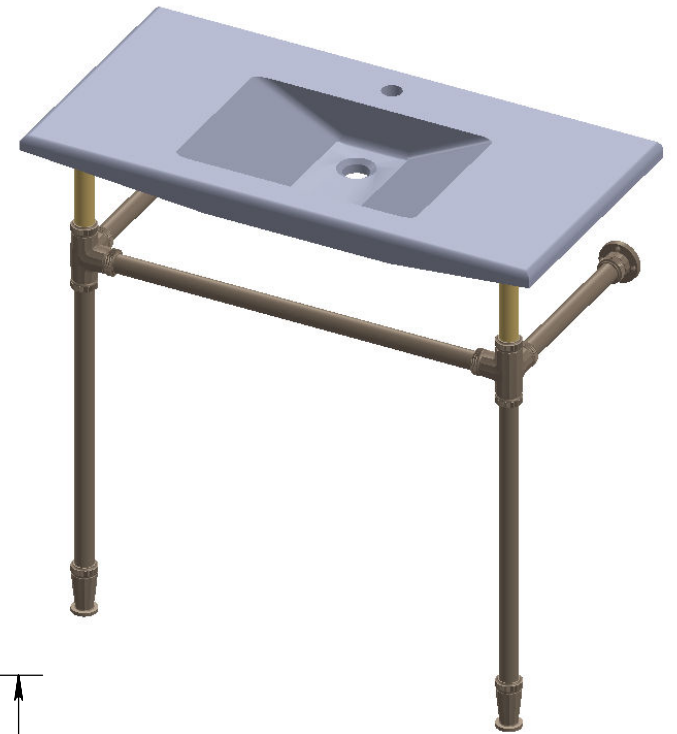
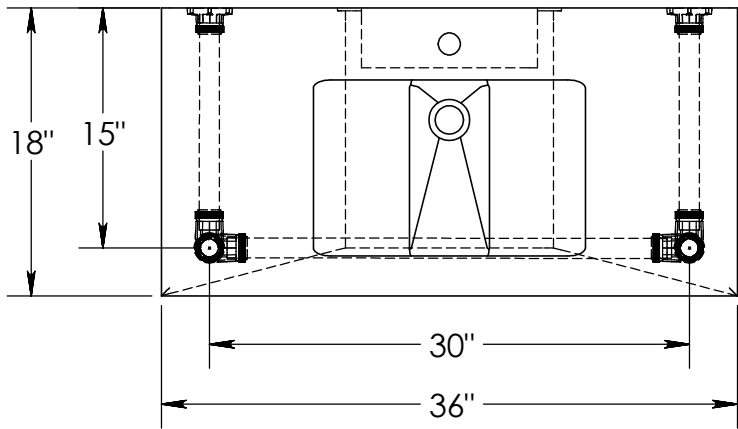


FRONT VIEW



SIDE VIEW

STONE  
FOREST



Cortina Console • C98-36  
with Elemental Facet Crossbar stand  
CUSTPFT-ST-CNR-3618

Due to the hand-carving of each piece, small variances in shape and size are to be expected.

SIZE **A** DWG. NO. CUSTPFT-ST-CNR-3618 - C98 - Cortina w Facet Stand

REV. **A**

WEIGHT: SHEET 1 OF 1

©2022 Stone Forest, Inc.

DO NOT SCALE DRAWING



OFFSET HORIZONTAL  
CROSSBARS

