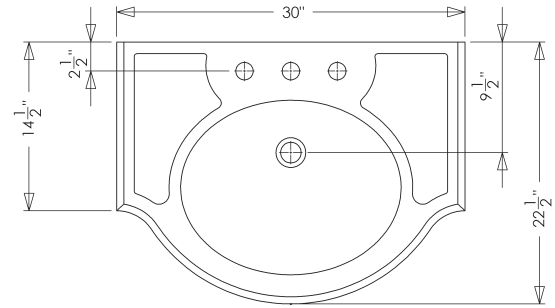


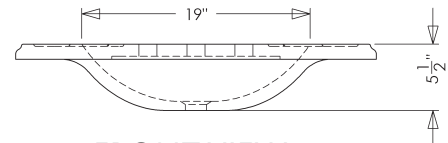


## C92-WL30 PETITE RENAISSANCE

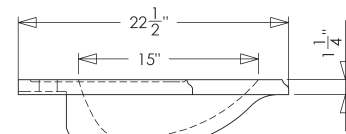
©2013 STONE FOREST, INC.



TOP VIEW

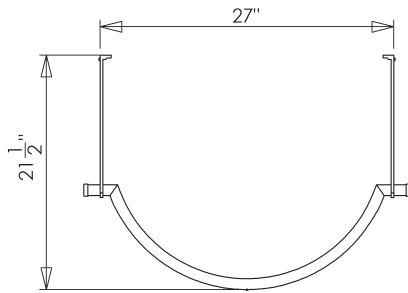


FRONT VIEW

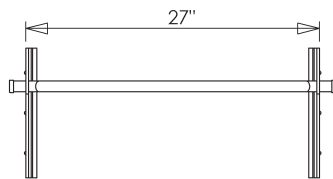


SIDE VIEW

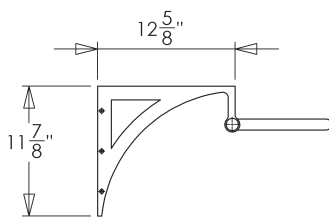
- Carved from a single block of stone.
- Available in: Carrara Marble (CA)
- All Honed.
- Approx thickness at drain is 0.75". Required drain use 9054D Grid Drain. This can be supplied by Stone Forest at your request in select finishes.
- Drilled to accept most 8" c.c. lavatory faucets.
- Made to fit brass wall bracket #LSBRKT or brass console legs #LS21BLSFR
- Do not use pop-up drains.
- Do not use plumbers putty.
- Approx 90 lbs.



TOP VIEW



FRONT VIEW



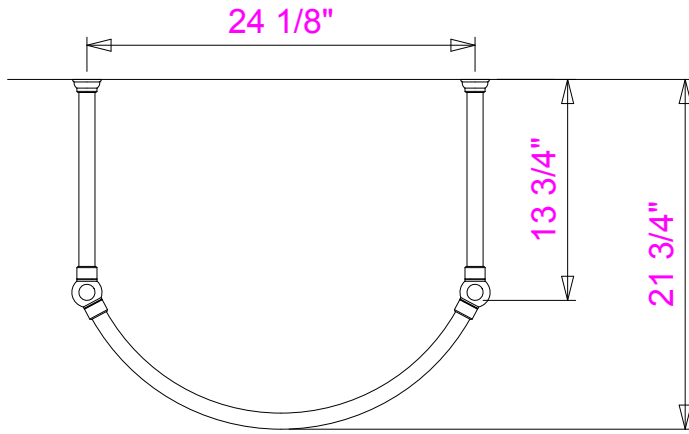
SIDE VIEW



## LSBRKT BRASS WALL BRACKET

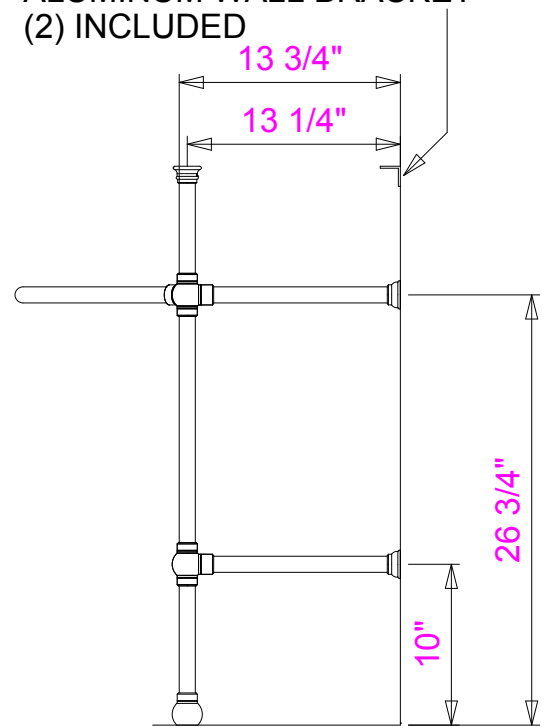
©2013 STONE FOREST, INC.

- Available in a variety of finishes
- Fits C92-WL30 Petite Renaissance.
- 12" Phillips screwdriver required for installation.
- Install with adhesive caulk on top edge of each bracket and along the back of the sink. We recommend Dap Kwik Seal or Henkels Polyseam Seal.
- Approx 15 lbs.

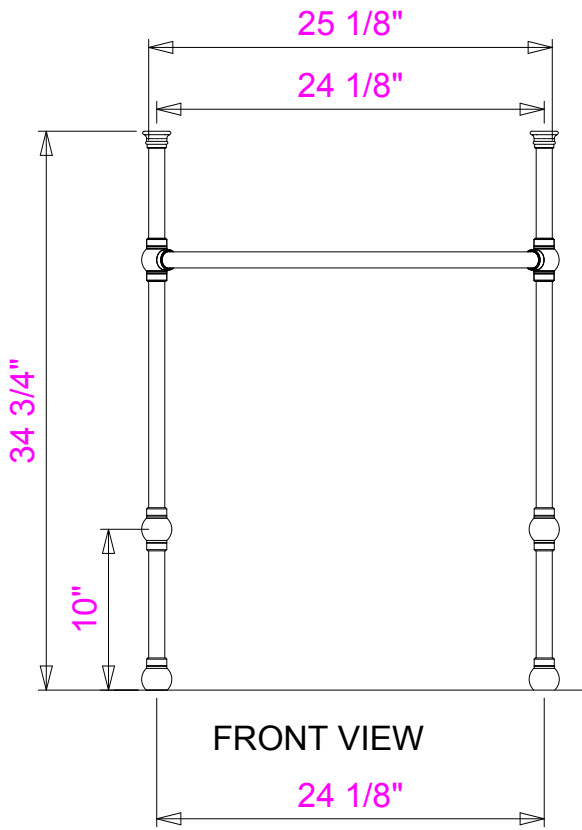


TOP VIEW

1-1/4" X 1-1/4" X 1/8" X 6"  
ALUMINUM WALL BRACKET  
(2) INCLUDED



SIDE VIEW



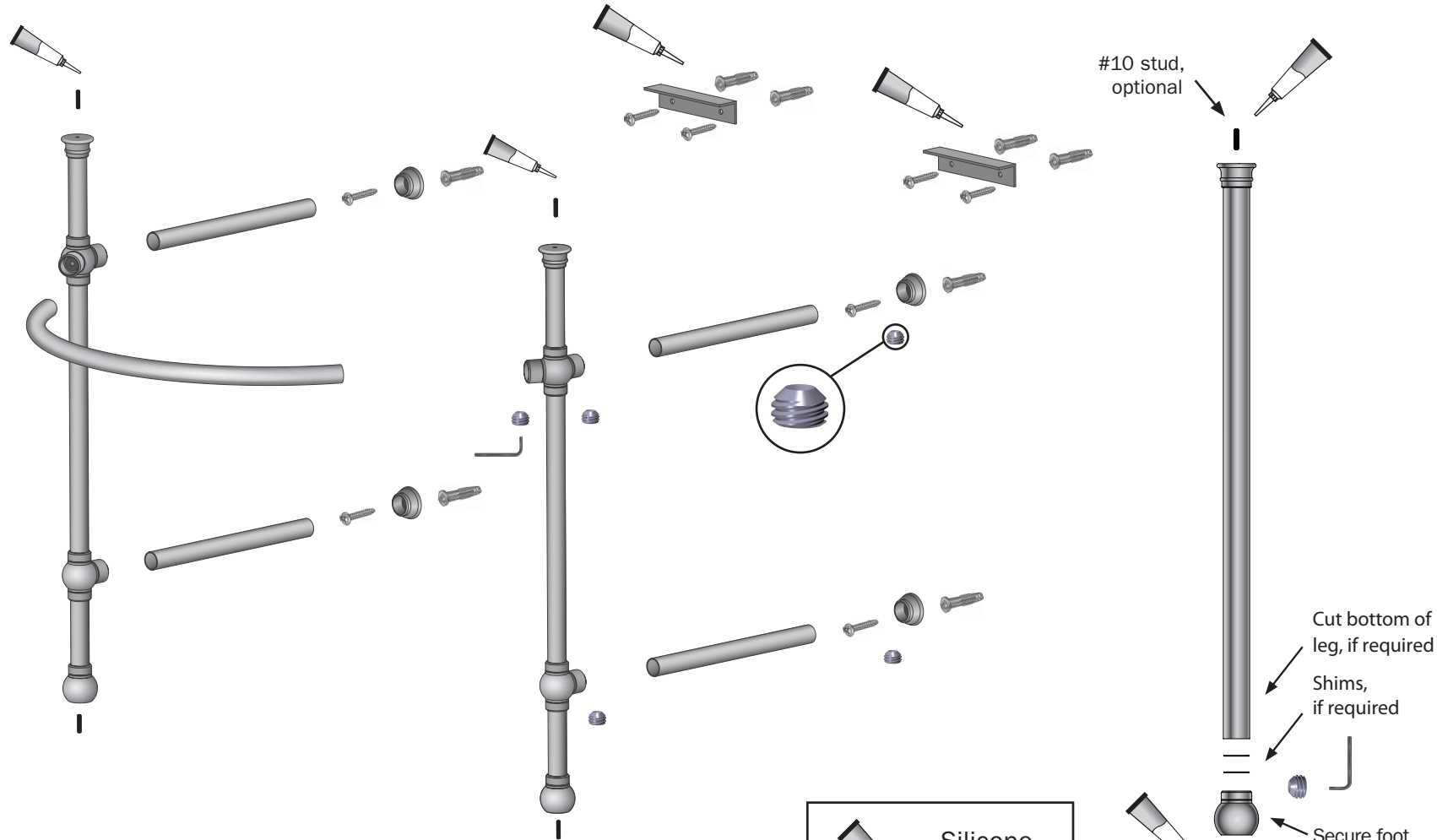
FRONT VIEW

				REV	CHANGE(S)	BY	DATE
REMARKS PALMER LS21BLSFPR BALL FOOT MODEL LEG SYSTEM FOR STONE FOREST PETITE RENAISSANCE C92-WL30	DRAWER	JB	6/20/13	DESCRIPTION(S)		PALMER INDUSTRIES	
	MATERIAL	BRASS		LEG SYS 2 LEG BALL FOOT		379 Charles Street Providence, RI 02904 Phone: 800-398-9676 Fax: 401-421-4238 email: jamie@sinklegs.com	
	FINISH			PART NUMBER(S)			
	PL-0147		LS21BLSFPR				

These designs and drawings are confidential, and the exclusive property of Palmer Industries. They may not be disclosed or duplicated without the expressed, written consent of Palmer Industries. Copyright circa 2012 Palmer Industries. All rights reserved.

Please see the appropriate Palmer Installation Instructions for more information.

**LEG ASSEMBLY**



**LS21BLSFPR SHOWN**

All content is owned and copyrighted by Palmer Industries and may not be used for any purpose other than to facilitate the customer experience in choosing and installing our products.

	Silicone Adhesive
	Hex Set Screw

REV. 20131201

M-F 9-5 EST

**SINKLEGS.COM**

Contact Palmer Industries at 800.398.9676 for any questions or parts.



Polished Chrome  
(PC) \$\$\$\$



Polished Nickel  
Un-Lacquered  
(PN) \$\$\$\$



Satin Nickel  
Un-Lacquered  
(SN) \$\$\$



Aged Nickel  
Un-Lacquered  
(AN) \$\$\$



Semi Matte Black  
Powder Coat  
(MB) \$\$\$\$



Polished Brass  
Lacquered  
(PBL) \$\$\$\$



Polished Brass  
Un-Lacquered  
(PBUL) \$\$\$\$



Satin Brass  
Lacquered  
(SBL) \$\$\$



Satin Brass  
Waxed  
(SBW) \$\$\$



Aged Brass  
Un-Lacquered  
(ABUL) \$\$\$\$



Oil Rubbed Bronze  
Un-Lacquered  
(ORB) \$\$\$



Polished Brass  
PVD  
(PBPVD) \$\$\$\$



Satin Brass  
PVD  
(SBPVD) \$\$\$\$



Polished Gold  
PVD  
(PGPVD) \$\$\$\$



Satin Gold  
PVD  
(SGPVD) \$\$\$\$

### FINISH COLOR VARIABLES

The finish colors you see on this website are approximate and may appear to be different from the actual product you receive.

Different devices and monitors may display colors differently and the lighting will also affect the color you perceive.

Some of these are hand-applied "artisanal" finishes and may vary. Other finishes are "living" finishes and will change & patina with age.

The Premium PVD Finishes: Durable, Colorful and Care-Free Finishing Technology – Available at a Premium Cost with an extended production lead time.

[learn more about PVD finishes](#)



Perma-Clear Acrylic



Seafoam Acrylic



Reeded Tubing



Walnut Heartwood