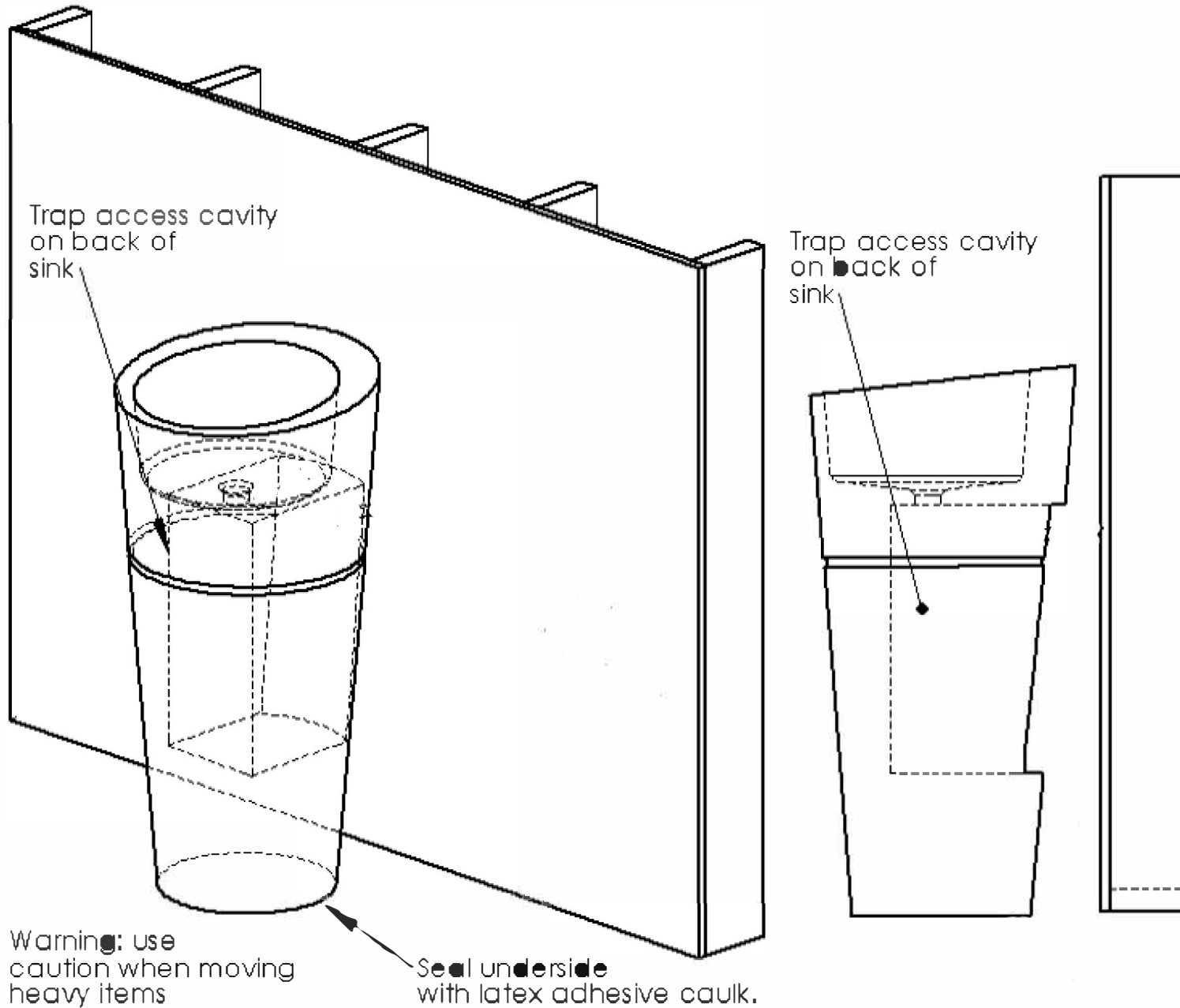


C62 Veneto Pedestal Installation

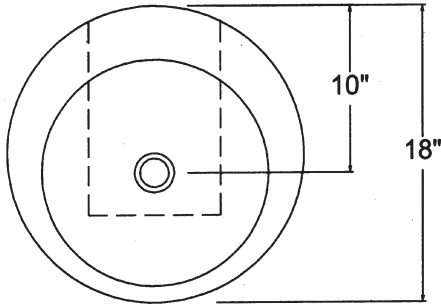


- 1-Center pedestal sink in desired location.
- 2-Center of drain should be approx. 10-11" from wall. (faucet reach of 9-10" recommended)
- 3-Using caution when handling the pedestal sink, tip the sink slightly to allow a bead of latex adhesive caulk to be applied under footprint of the pedestal sink.



C62 VENETO PEDESTAL SINK

© 2007 STONE FOREST, INC.

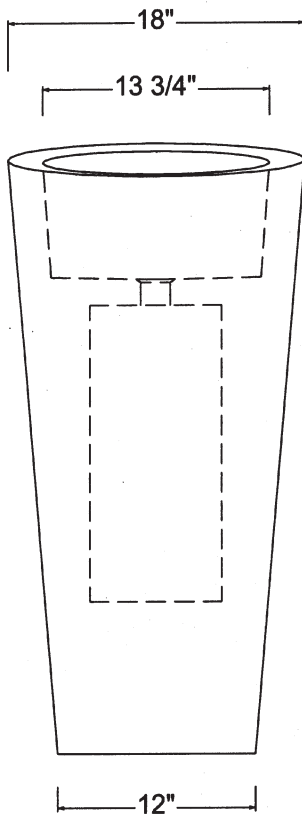


TOP VIEW

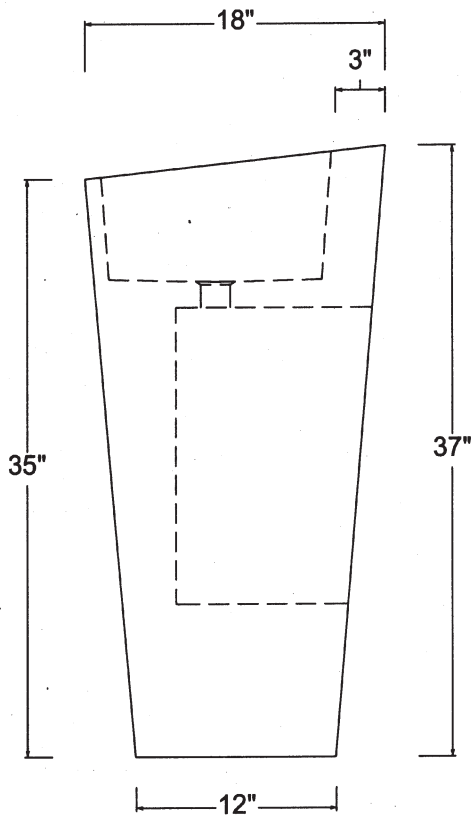
Approx thickness at drain is 1".
Required drain use 9054D Grid Drain. Drains are 1.25" NPT. This can be supplied by Stone Forest at your request in select finishes

Do not use popup drains

Approx 650 lbs

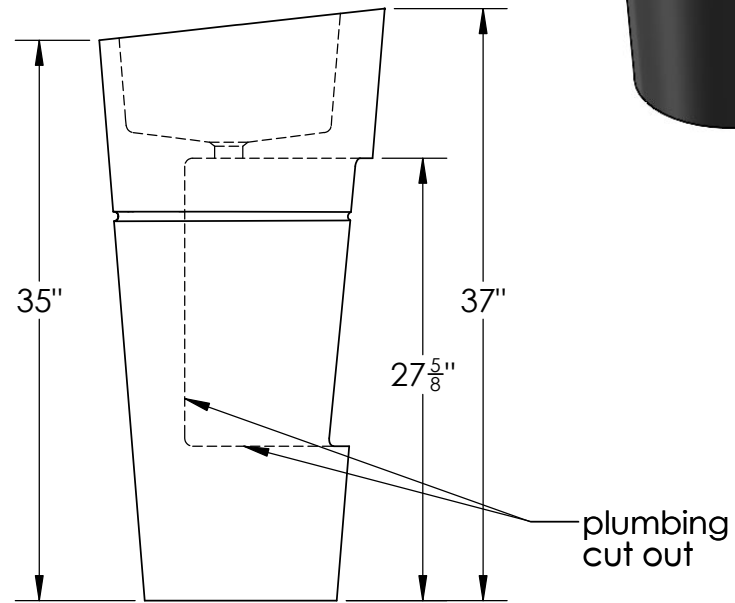
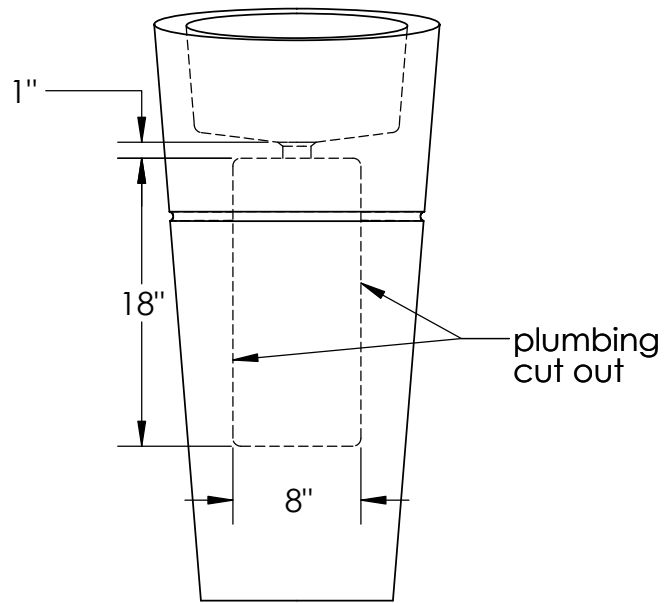
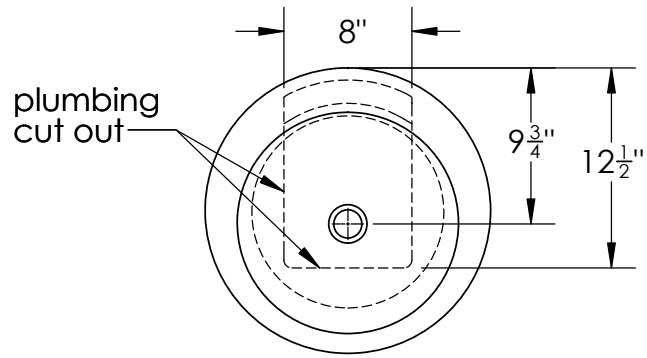


FRONT VIEW



SIDE VIEW

STONE
FOREST



STONE
FOREST

C62 Veneto Pedestal
©2010 Stone Forest, Inc.