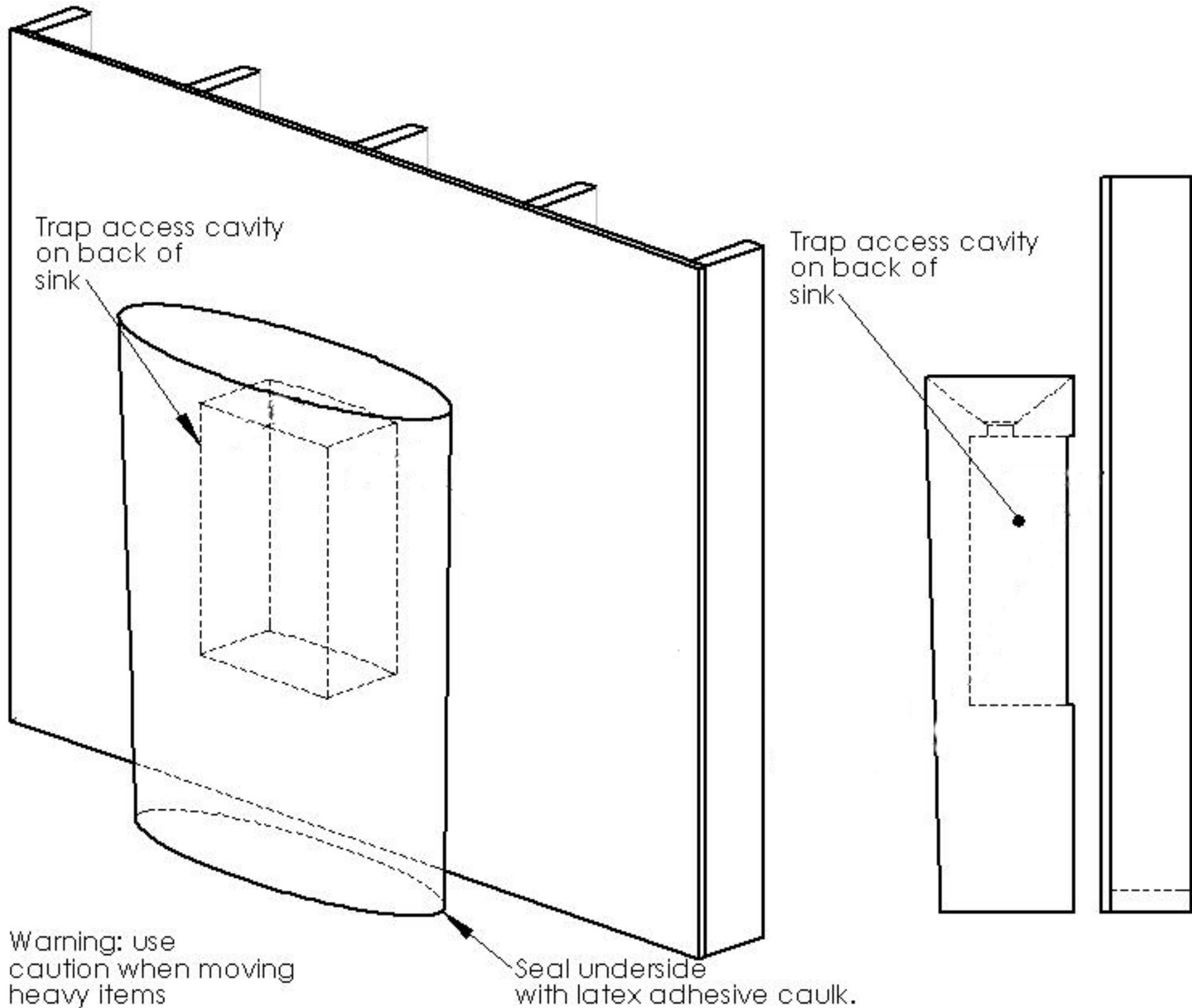


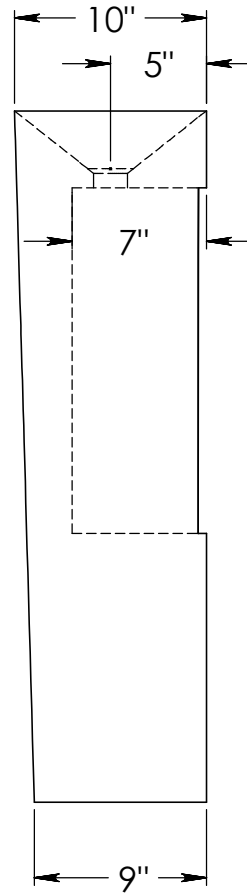
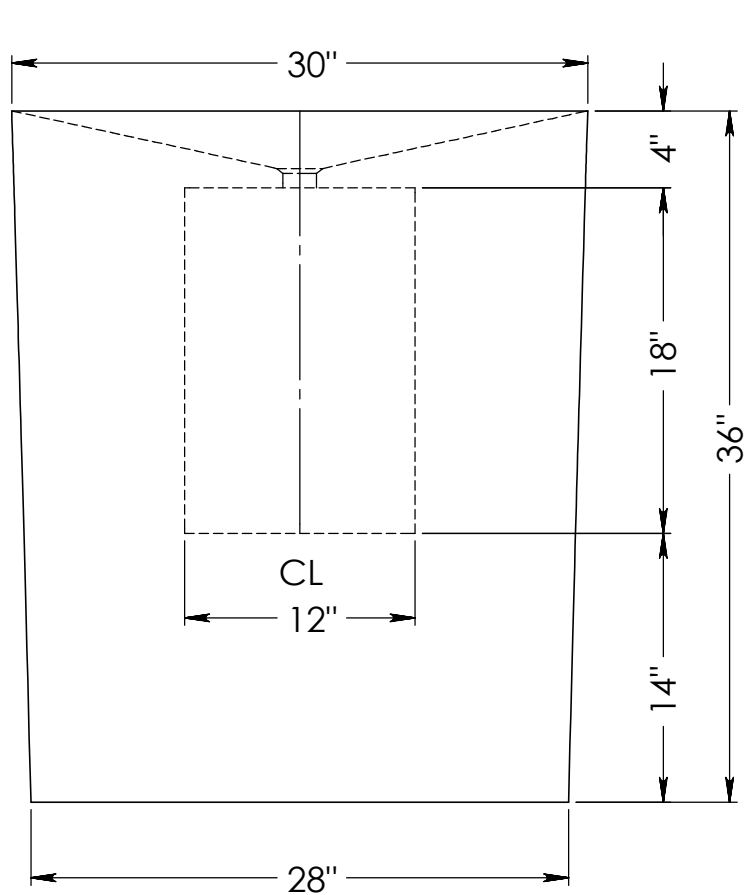
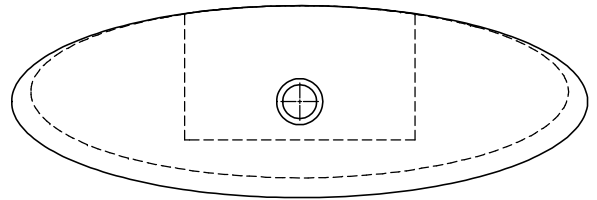
C60 Infinity Pedestal Installation



1-Center pedestal sink in desired location.

2-Center of drain should be approx. 10" from wall. (faucet reach of 9" recommended)

3-Using caution when handling the pedestal sink, tip the sink slightly to allow a bead of latex adhesive caulk to be applied under footprint of the pedestal sink.



C60 Infinity Pedestal

Due to the hand-carving of each piece, small variances in shape and size are to be expected.

SIZE **A** DWG. NO. C60 CA Infinity Pedestal Sink

REV. **A**

WEIGHT: SHEET 1 OF 1

©2016 Stone Forest, Inc.

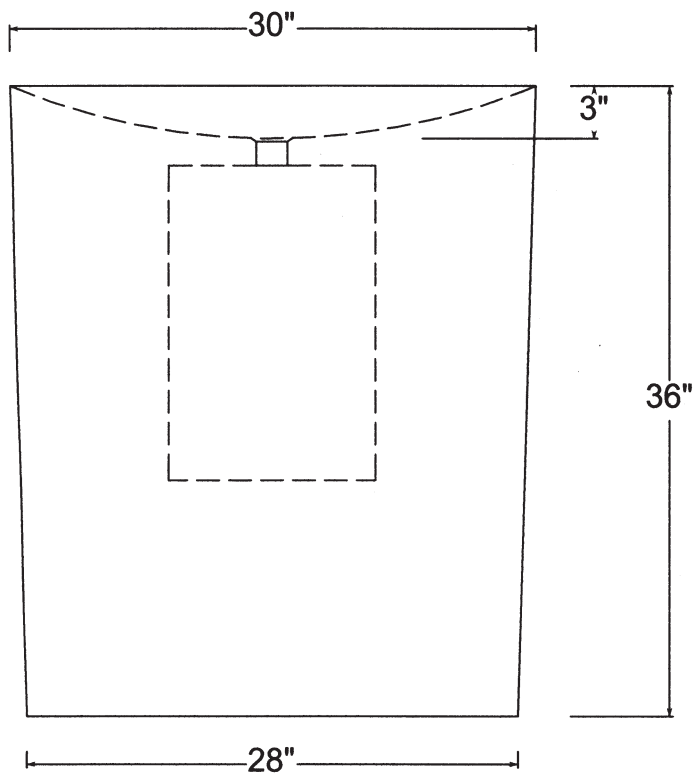
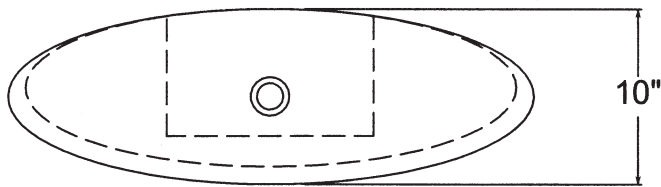
DO NOT SCALE DRAWING

C60
INFINITY PEDESTAL SINK

© 2006 STONE FOREST, INC.



TOP VIEW



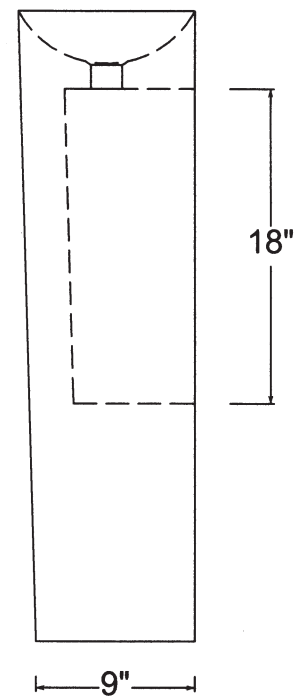
FRONT VIEW

Custom sizes can be made

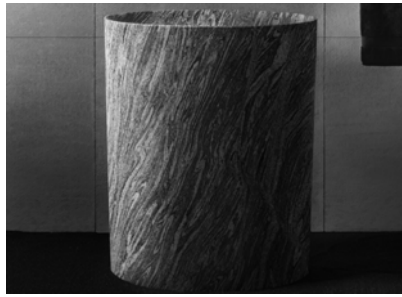
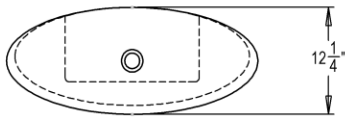
Approx thickness at drain is 1". Required drain use 9054D Grid Drain. Drains are 1.25" NPT. This can be supplied by Stone Forest at your request in select finishes

Do not use popup drains

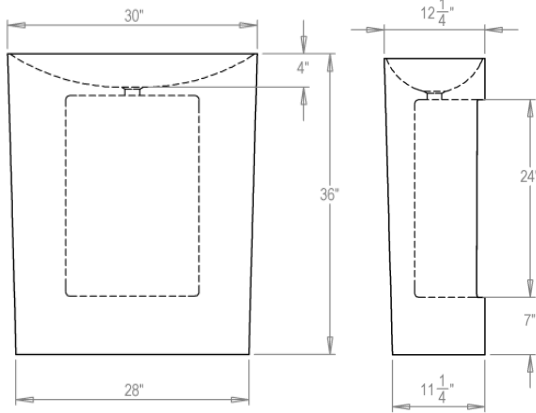
Approx 800 lbs



SIDE VIEW



C60D
NEW INFINITY
PEDESTAL SINK
 © 2016 STONE FOREST, INC.



- Available in:
Cumulo Granite (CG)
- Custom sizes can be made.
- Approx thickness at drain is 1".
Required drain use 9054D Grid
Drain. This can be supplied by
Stone Forest at your request in
select finishes.
- Do not use pop-up drains.
- Do not use oil based
plumbers putty.
- Approx 800 lbs

The C60D is deeper than the C60