

# C50-24 VERONA VESSEL

© 2004 STONE FOREST, INC.

Available in:

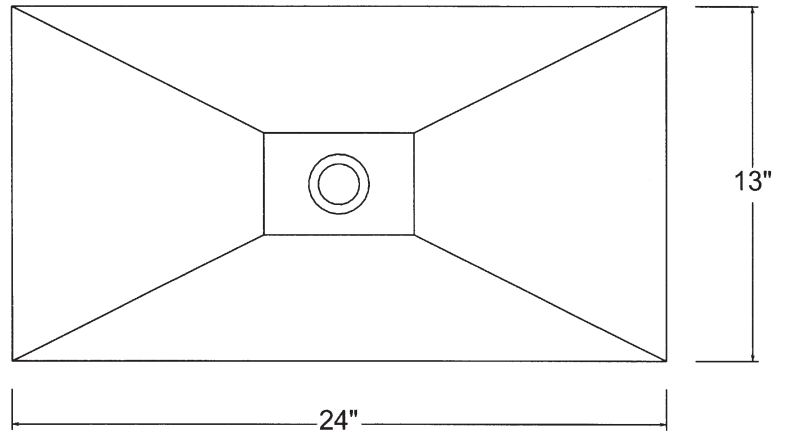
- Black Granite (BL)
- Honey Onyx (HO)
- Multicolor Onyx (MO)
- Silver Travertine (ST)
- Travertino Romano (TR)

Approx thickness at drain is 3/4".  
Required drain use 9054D Grid Drain  
or 9058D Lift & Turn. Drains are 1.25"  
NPT. This can be supplied by Stone  
Forest at your request in select finishes.

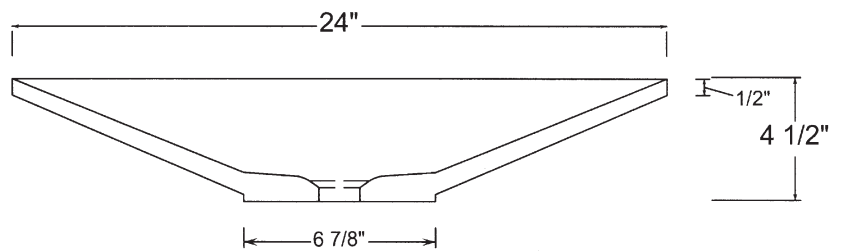
Do not use pop-up drains

Approx 45 lbs

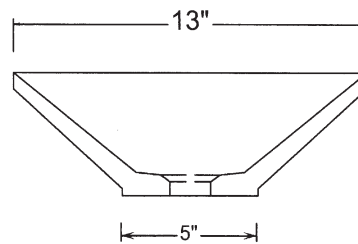
UPC® listed



TOP VIEW



FRONT VIEW

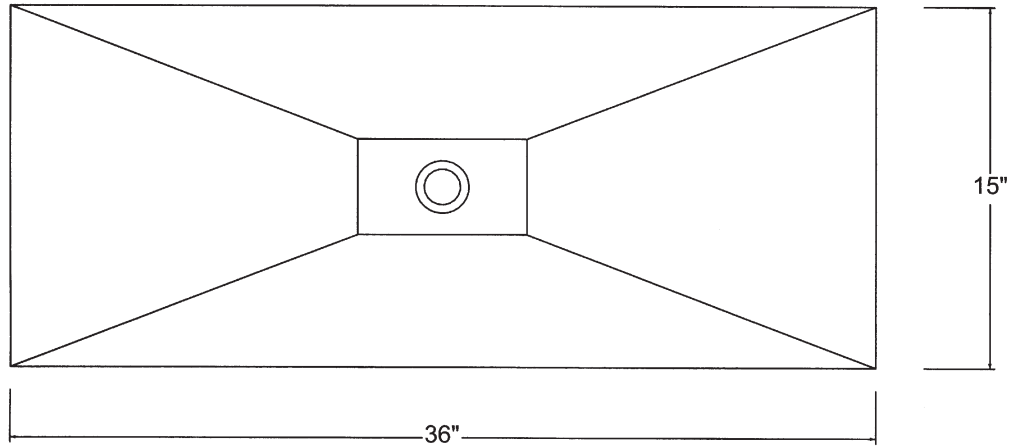


SIDE VIEW

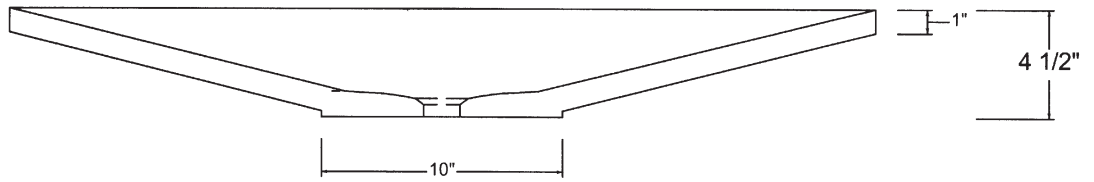
STONE  
FOREST

C50-36  
VERONA VESSEL

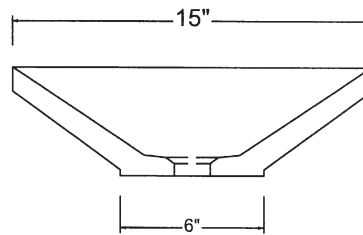
© 2004 STONE FOREST, INC.



TOP VIEW



FRONT VIEW



SIDE VIEW

Approx thickness at drain is 3/4" .

Required drain use 9054D Grid Drain or 9058D Lift & Turn. Drains are 1.25" NPT. This can be supplied by Stone Forest at your request in select finishes.

Do not use pop-up drains

Approx 95 lbs

UPC® listed