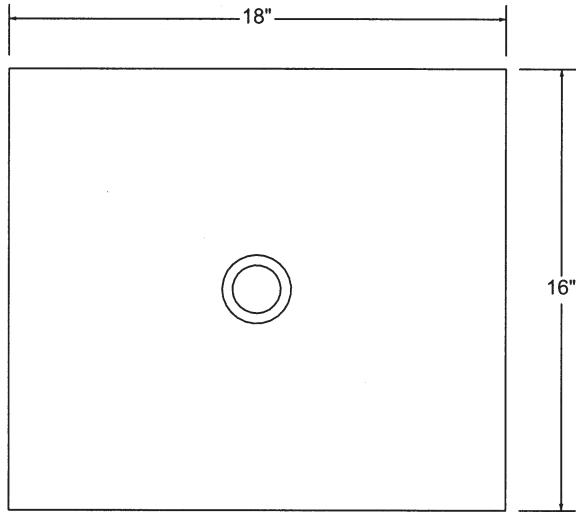


C36  
ZEN VESSEL

© 2002 STONE FOREST, INC.



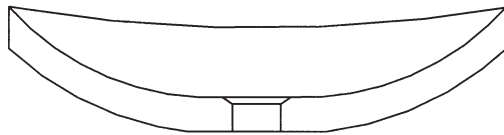
TOP VIEW

Approx thickness at drain is 1".  
Required drain use 9054D Grid Drain.  
Drains are 1.25" NPT.  
This can be supplied by Stone Forest at  
your request in select finishes.

Do not use pop-up drains

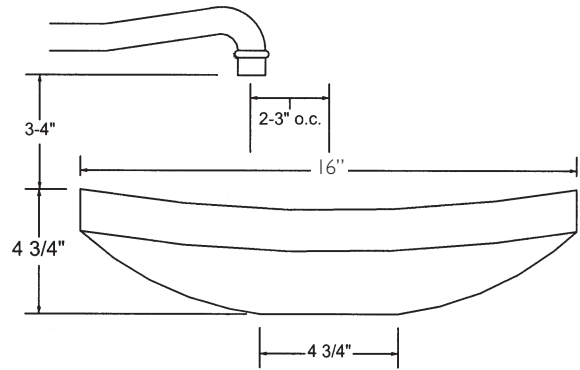
Approx 40 lbs

UPC® listed



FRONT VIEW

RECOMMENDED FAUCET LOCATION



SIDE VIEW