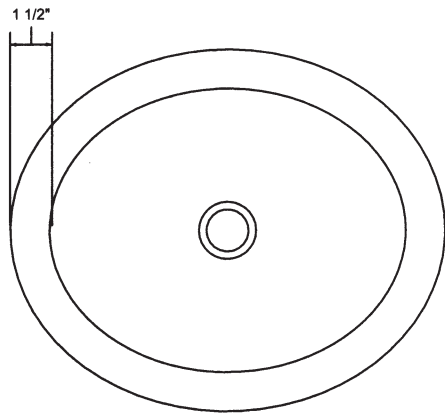


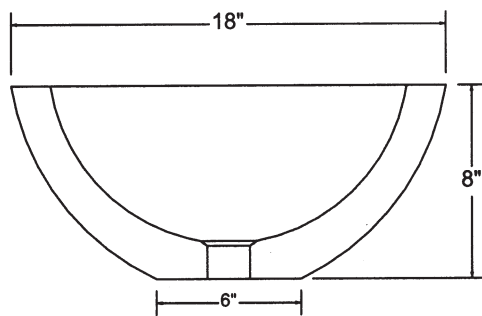


C03 OVAL VESSEL

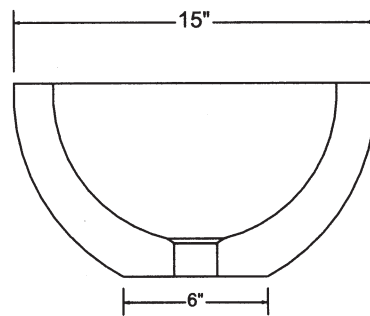
©1998 STONE FOREST, INC.



TOP VIEW



FRONT VIEW



SIDE VIEW

Rough exterior with polished rim and interior

Available in:
Beige Granite (BE)

Approx thickness at drain is 1-1/2".
Required drain use 9054D Grid Drain
or 9058D Lift & Turn. Drains are 1.25" NPT.
This can be supplied by Stone Forest at
your request in select finishes.

Do not use pop-up drains

Approx 70 lbs

UPC® listed

STONE
FOREST