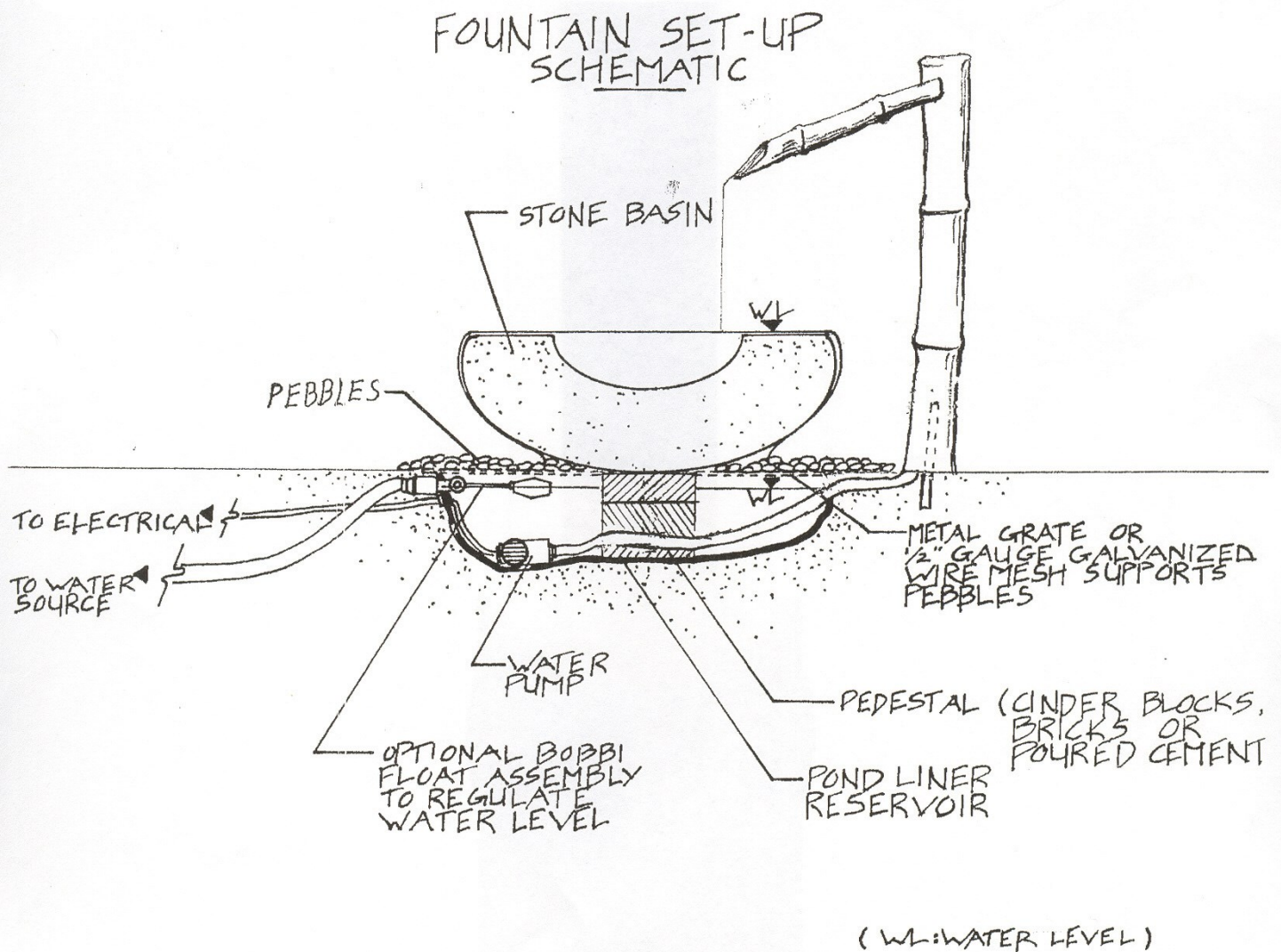


# Bamboo Spout with Stone Basin Installation



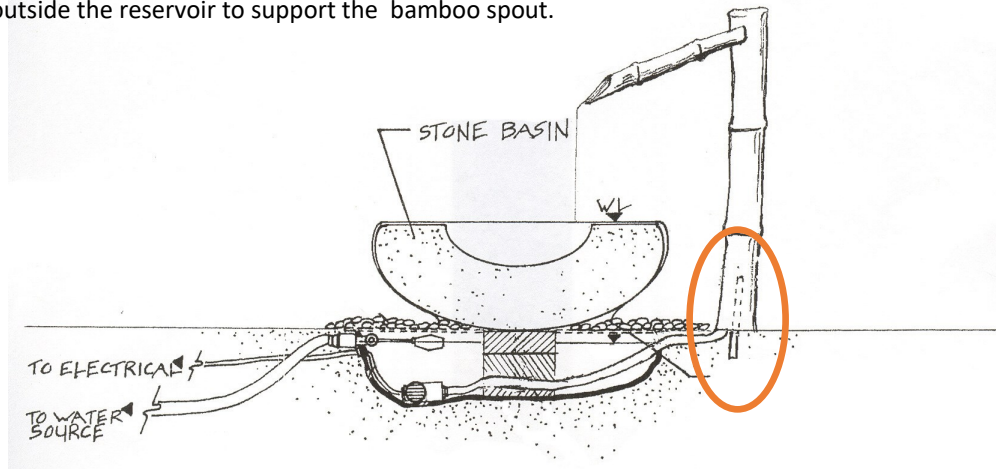
\*\* See page 2 for more info on installing the Bamboo spout

# Securing the Bamboo Spout



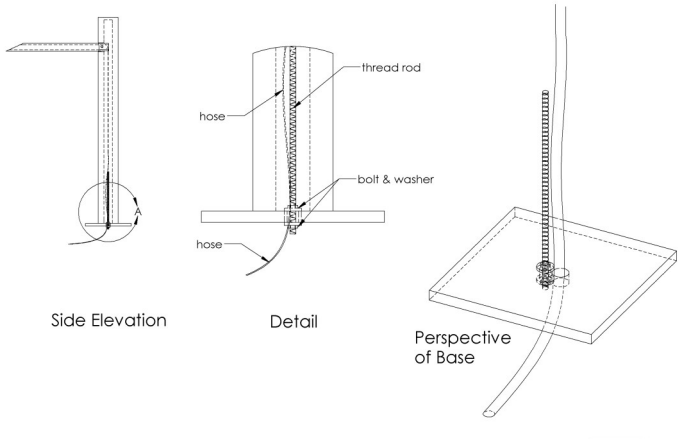
## Option 1

Using the reservoir, as shown in diagram below, a rebar or pin can be driven into the ground outside the reservoir to support the bamboo spout.



## Option 2

Using the pre-fab reservoir as shown in the photos at the bottom of the page is the same principle but will need:



1) A base of marine grade plywood (or a waterproof material) with two holes drilled, one (1) for the hose and and, one (1) for a rust proof thread-rod (see example below) to secure on the base. See Details to the left for a visual of components assembled (not to scale).

2) The top of the Pre-fab reservoir has holes for the water to pass through (see photos below). You may have to enlarge a hole in the area where the bamboo spout will sit to allow the thread-rod and hose to pass through.

3) Once the bamboo spout is stood up on the surface of the reservoir conceal with pebbles.



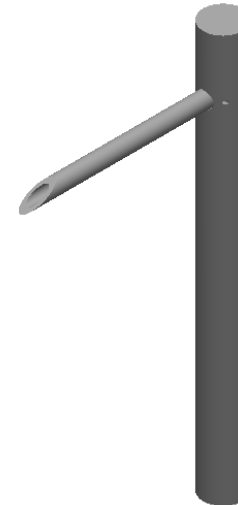
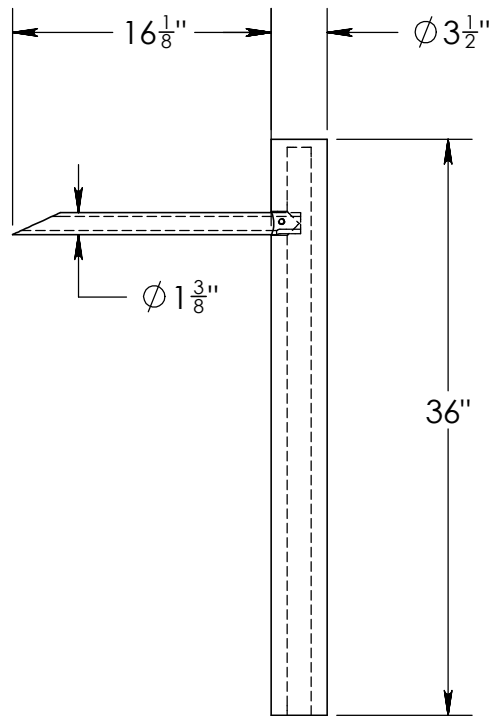
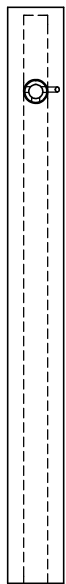
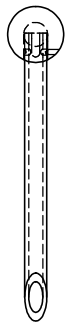
DKIT BSN (44" square Pre Fab Reservoir)



DKIT RND(36" diameter Pre Fab Reservoir)



Thread-Rod Example



X

Due to the hand-carving of each piece, small variances in shape and size are to be expected.

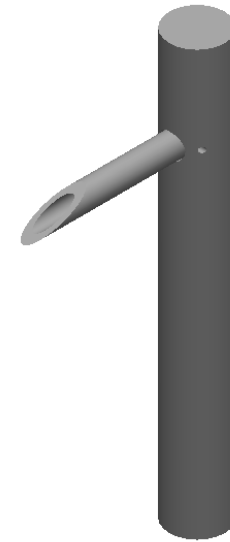
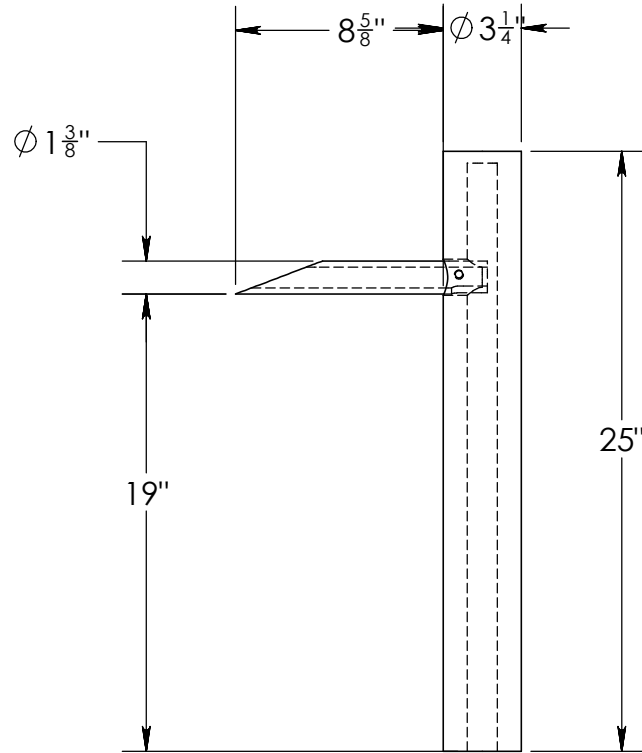
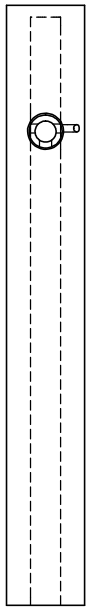
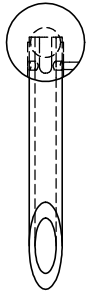
SIZE **A** DWG. NO. Bamboo Spout 36

REV. **A**

WEIGHT: SHEET 1 OF 1

©2020 Stone Forest, Inc.

DO NOT SCALE DRAWING



X

Due to the hand-carving of each piece, small variances in shape and size are to be expected.

SIZE **A** DWG. NO. BambooSpout 24

REV. **A**

WEIGHT: SHEET 1 OF 1

©2020 Stone Forest, Inc.

DO NOT SCALE DRAWING