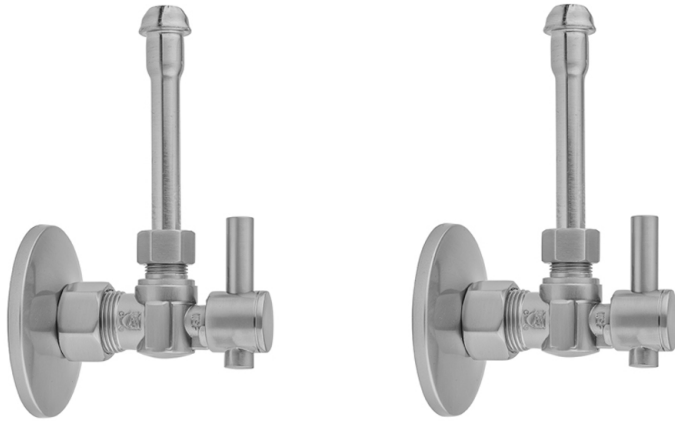


Quarter Turn Angle Pattern 5/8" O.D. Compression (Fits 1/2" Copper) x 3/8" O.D. Faucet Supply Kit with Contempo Lever Handle, 20" Supply Tubes, Escutcheons
 Model #: 621-2-62-PFSAB



FEATURES:

- Complete Faucet Supply Kit
- Kit contains:
 - (2) Quarter Turn Angle Pattern 5/8" O.D. Compression (Fits 1/2" Copper) x 3/8" O.D. Supply Valve with Contempo Lever Handle P/N 621-2
 - (2) 20" Copper Supply Tubes P/N 662
 - (2) Escutcheons P/N 7463

HANDLES:



SPECIFICATION DRAWING:

COMPONENTS	
DESCRIPTION	QTY:
ANGLE VALVE - CONTEMPO LEVER HANDLE	2
20" x 3/8" O.D. SUPPLY TUBE	2
ESCUTCHEON	2

